

# Wolfspeed Discrete Power Product Packing & Shipping Reference Guide

---

## Table of Contents

---

Schottky Diode Product List	2
MOSFET Product List	6
Shipping Container Dimensions	10

## Schottky Diodes

Part Number	Package Type	Container Type	Container Quantity	Factory SPQ	MOQ	MSL
C3D02060A	TO-220-2	Tube	50	1000	1000	-
C3D02060E	TO-252-2	Tube	75	3600	3600	MSL 3
C3D02060E-TR	TO-252-2	Reel	2500	2500	2500	MSL 3
C3D02060F	TO-220-F2 FullPak	Tube	50	1000	4000	-
C3D02065E	TO-252-2	Tube	75	3600	3600	MSL 3
C3D02065E-TR	TO-252-2	Reel	2500	2500	2500	MSL 3
C3D03060A	TO-220-2	Tube	50	1000	1000	-
C3D03060E	TO-252-2	Tube	75	3600	3600	MSL 3
C3D03060E-TR	TO-252-2	Reel	2500	2500	2500	MSL 3
C3D03060F	TO-220-F2 FullPak	Tube	50	1000	4000	-
C3D03065E	TO-252-2	Tube	75	3600	3600	MSL 3
C3D03065E-TR	TO-252-2	Reel	2500	2500	2500	MSL 3
C3D04060A	TO-220-2	Tube	50	1000	1000	-
C3D04060E	TO-252-2	Tube	75	3600	3600	MSL 3
C3D04060E-TR	TO-252-2	Reel	2500	2500	2500	MSL 3
C3D04060F	TO-220-F2 FullPak	Tube	50	1000	4000	-
C3D04065A	TO-220-2	Tube	50	1000	1000	-
C3D04065E	TO-252-2	Tube	75	3600	3600	MSL 3
C3D04065E-TR	TO-252-2	Reel	2500	2500	2500	MSL 3
C3D06060A	TO-220-2	Tube	50	1000	1000	-
C3D06060F	TO-220-F2 FullPak	Tube	50	1000	4000	-
C3D06060G	TO-263-2	Tube	50	1000	1000	MSL 3
C3D06060G-TR	TO-263-2	Reel	800	800	800	MSL 3
C3D06065A	TO-220-2	Tube	50	1000	1000	-
C3D06065E	TO-252-2	Tube	75	3600	3600	MSL 3
C3D06065E-TR	TO-252-2	Reel	2500	2500	2500	MSL 3
C3D06065I	TO-220-2 Isolated	Tube	50	1000	1000	-
C3D08060A	TO-220-2	Tube	50	1000	1000	-
C3D08060G	TO-263-2	Tube	50	1000	1000	MSL 3
C3D08060G-TR	TO-263-2	Reel	800	800	800	MSL 3
C3D08065A	TO-220-2	Tube	50	1000	1000	-
C3D08065E	TO-252-2	Tube	75	3600	3600	MSL 3
C3D08065E-TR	TO-252-2	Reel	2500	2500	2500	MSL 3
C3D08065I	TO-220-2 Isolated	Tube	50	1000	1000	-
C3D10060A	TO-220-2	Tube	50	1000	1000	-
C3D10060G	TO-263-2	Tube	50	1000	1000	MSL 3
C3D10060G-TR	TO-263-2	Reel	800	800	800	MSL 3
C3D10065A	TO-220-2	Tube	50	1000	1000	-
C3D10065E	TO-252-2	Tube	75	3600	3600	MSL 3
C3D10065E-TR	TO-252-2	Reel	2500	2500	2500	MSL 3
C3D10065I	TO-220-2 Isolated	Tube	50	1000	1000	-

## Schottky Diodes

Part Number	Package Type	Container Type	Container Quantity	Factory SPQ	MOQ	MSL
C3D12065A	TO-220-2	Tube	50	1000	1000	-
C3D16060D	TO-247-3	Tube	30	450	450	-
C3D16065A	TO-220-2	Tube	50	1000	1000	-
C3D16065D	TO-247-3	Tube	30	450	450	-
C3D16065D1	TO-247-3	Tube	30	450	450	-
C3D20060D	TO-247-3	Tube	30	450	450	-
C3D20065D	TO-247-3	Tube	30	450	450	-
C3D30065D	TO-247-3	Tube	30	450	450	-
C4D02120A	TO-220-2	Tube	50	1000	1000	-
C4D02120E	TO-252-2	Tube	75	3600	3600	MSL 3
C4D02120E-TR	TO-252-2	Reel	2500	2500	2500	MSL 3
C4D05120A	TO-220-2	Tube	50	1000	1000	-
C4D05120E	TO-252-2	Tube	75	3600	3600	MSL 3
C4D05120E-TR	TO-252-2	Reel	2500	2500	2500	MSL 3
C4D08120A	TO-220-2	Tube	50	1000	1000	-
C4D08120E	TO-252-2	Tube	75	3600	3600	MSL 3
C4D08120E-TR	TO-252-2	Reel	2500	2500	2500	MSL 3
C4D10120A	TO-220-2	Tube	50	1000	1000	-
C4D10120E	TO-252-2	Tube	75	3600	3600	MSL 3
C4D10120E-TR	TO-252-2	Reel	2500	2500	2500	MSL 3
C4D10120H	TO-247-2	Tube	30	450	450	-
C4D15120A	TO-220-2	Tube	50	1000	1000	-
C4D15120D	TO-247-3	Tube	30	450	450	-
C4D15120H	TO-247-2	Tube	30	450	450	-
C4D20120A	TO-220-2	Tube	50	1000	1000	-
C4D20120D	TO-247-3	Tube	30	450	450	-
C4D20120H	TO-247-2	Tube	30	450	450	-
C4D30120D	TO-247-3	Tube	30	450	450	-
C4D30120H	TO-247-2	Tube	30	450	450	-
C4D40120D	TO-247-3	Tube	30	450	450	-
C4D40120H	TO-247-2	Tube	30	450	450	-
C6D04065A	TO-220-2	Tube	50	1000	1000	-
C6D04065E	TO-252-2	Tube	75	3600	3600	MSL 3
C6D04065E-TR	TO-252-2	Reel	2500	2500	2500	MSL 3
C6D05170H	TO-247-2	Tube	30	450	450	-
C6D06065A	TO-220-2	Tube	50	1000	1000	-
C6D06065E	TO-252-2	Tube	75	3600	3600	MSL 3
C6D06065E-TR	TO-252-2	Reel	2500	2500	2500	MSL 3
C6D06065G	TO-263-2	Tube	50	1000	1000	MSL 3
C6D06065G-TR	TO-263-2	Reel	800	2400	2400	MSL 3
C6D06065Q-TR	QFN 8x8	Reel	3000	2500	2500	MSL 1

## Schottky Diodes

Part Number	Package Type	Container Type	Container Quantity	Factory SPQ	MOQ	MSL
C6D08065A	TO-220-2	Tube	50	1000	1000	-
C6D08065E	TO-252-2	Tube	75	3600	3600	MSL 3
C6D08065E-TR	TO-252-2	Reel	2500	2500	2500	MSL 3
C6D08065G	TO-263-2	Tube	50	1000	1000	MSL 3
C6D08065G-TR	TO-263-2	Reel	800	2400	2400	MSL 3
C6D08065Q-TR	QFN 8x8	Reel	3000	2500	2500	MSL 1
C6D10065A	TO-220-2	Tube	50	1000	1000	-
C6D10065E	TO-252-2	Tube	75	3600	3600	MSL 3
C6D10065E-TR	TO-252-2	Reel	2500	2500	2500	MSL 3
C6D10065G	TO-263-2	Tube	50	1000	1000	MSL 3
C6D10065G-TR	TO-263-2	Reel	800	2400	2400	MSL 3
C6D10065Q-TR	QFN 8x8	Reel	3000	2500	2500	MSL 1
C6D10170H	TO-247-2	Tube	30	450	450	-
C6D16065D	TO-247-3	Tube	30	450	450	-
C6D16065H	TO-247-2	Tube	30	450	450	-
C6D20065A	TO-220-2	Tube	50	1000	1000	-
C6D20065D	TO-247-3	Tube	30	450	450	-
C6D20065D1	TO-247-3	Tube	30	450	450	-
C6D20065G	TO-263-2	Tube	50	1000	1000	MSL 3
C6D20065G-TR	TO-263-2	Reel	800	2400	2400	MSL 3
C6D20065H	TO-247-2	Tube	30	450	450	-
C6D30065H	TO-247-2	Tube	30	450	450	-
C6D25170H	TO-247-2	Tube	30	450	450	-
CSD01060A	TO-220-2	Tube	50	1000	1000	-
CSD01060E	TO-252-2	Tube	75	3600	3600	MSL 3
CSD01060E-TR	TO-252-2	Reel	2500	2500	10000	MSL 3
E3D08065G	TO-263-2	Tube	50	1000	1000	MSL 3
E3D08065G-TR	TO-263-2	Reel	800	2400	2400	MSL 3
E3D20065D	TO-247-3	Tube	30	450	450	-
E3D30065D	TO-247-3	Tube	30	450	450	-
E4D02120E	TO-252-2	Tube	75	3600	3600	MSL 3
E4D02120E-TR	TO-252-2	Reel	2500	2500	2500	MSL 3
E4D10120A	TO-220-2	Tube	50	1000	1000	-
E4D20120A	TO-220-2	Tube	50	1000	1000	-
E4D20120D	TO-247-3	Tube	30	450	450	-
E4D20120G	TO-263-2	Tube	50	1000	1000	MSL 3
E4D20120G-TR	TO-263-2	Reel	800	2400	2400	MSL 3
E6D10065A	TO-220-2	Tube	50	1000	1000	-
E6D10065G	TO-263-2	Tube	50	1000	1000	MSL 3
E6D10065G-TR	TO-263-2	Reel	800	2400	2400	MSL 3
E6D16065A	TO-220-2	Tube	50	1000	1000	-

**Schottky Diodes**

Part Number	Package Type	Container Type	Container Quantity	Factory SPQ	MOQ	MSL
E6D16065D1	TO-267-3	Tube	30	450	450	-
E6D16065G	TO-263-2	Tube	50	1000	1000	MSL 3
E6D16065G-TR	TO-263-2	Reel	800	2400	2400	MSL 3
E6D16065H	TO-247-2	Tube	30	450	450	-
E6D20065A	TO-220-2	Tube	50	1000	1000	-
E6D20065D	TO-247-3	Tube	30	450	450	-
E6D20065G	TO-263-2	Tube	50	1000	1000	MSL 3
E6D20065G-TR	TO-263-2	Reel	800	2400	2400	MSL 3
E6D20065H	TO-247-2	Tube	30	450	450	-
E6D30065A	TO-220-2	Tube	50	1000	1000	-
E6D30065D	TO-247-3	Tube	30	450	450	-
E6D30065G	TO-263-2	Tube	50	1000	1000	MSL 3
E6D30065G-TR	TO-263-2	Reel	800	2400	2400	MSL 3
E6D30065H	TO-247-2	Tube	30	450	450	-
E6D40065A	TO-220-2	Tube	50	1000	1000	-
E6D40065D	TO-247-3	Tube	30	450	450	-
E6D40065G	TO-263-2	Tube	50	1000	1000	MSL 3
E6D40065G-TR	TO-263-2	Reel	800	2400	2400	MSL 3
E6D40065H	TO-247-2	Tube	30	450	450	-

**MOSFETS**

Part Number	Package Type	Container Type	Container Quantity	Factory SPQ	MOQ	MSL
C2M0025120D	TO-247-3	Tube	30	450	450	-
C2M0040120D	TO-247-3	Tube	30	450	450	-
C2M0045170D	TO-247-3	Tube	30	450	450	-
C2M0045170P	TO-247-4 Plus	Tube	30	450	450	-
C2M0080120D	TO-247-3	Tube	30	450	450	-
C2M0160120D	TO-247-3	Tube	30	450	450	-
C2M0280120D	TO-247-3	Tube	30	450	450	-
C2M1000170D	TO-247-3	Tube	30	450	450	-
C2M1000170J	TO-263-7	Tube	50	1,000	1,000	MSL 3
C2M1000170J-TR	TO-263-7	Reel	800	800	800	MSL 3
C3M0015065D	TO-247-3	Tube	30	450	450	-
C3M0015065K	TO-247-4	Tube	30	450	450	-
C3M0016120D	TO-247-3	Tube	30	450	450	-
C3M0016120K	TO-247-4	Tube	30	450	450	-
C3M0016120K1	TO-247-4 LP	Tube	30	450	450	-
C3M0016120U2-TR	U2 (TSC)	Reel	800	800	800	MSL 1
C3M0021120D	TO-247-3	Tube	30	450	450	-
C3M0021120J2-TR	TO-263-7 XL	Reel	800	800	800	MSL 1
C3M0021120K	TO-247-4	Tube	30	450	450	-
C3M0021120K1	TO-247-4 LP	Tube	30	450	450	-
C3M0021120U2-TR	U2 (TSC)	Reel	800	800	800	MSL 1
C3M0025065D	TO-247-3	Tube	30	450	450	-
C3M0025065J1	TO-263-7 XL	Tube	50	1,000	1,000	MSL 3
C3M0025065J1-TR	TO-263-7 XL	Reel	800	800	800	MSL 3
C3M0025065K	TO-247-4	Tube	30	450	450	-
C3M0025065L-TR	TOLL	Reel	2000	2000	2000	MSL 1
C3M0025075K1	TO-247-4 LP	Tube	30	450	450	-
C3M0030090K	TO-247-4	Tube	30	450	450	-
C3M0030170D	TO-247-3	Tube	30	450	450	-
C3M0030170K	TO-247-4	Tube	30	450	450	-
C3M0030170P	TO-247-4 Plus	Tube	30	450	450	-
C3M0032120D	TO-247-3	Tube	30	450	450	-
C3M0032120J1	TO-263-7 XL	Tube	50	1,000	1,000	MSL 3
C3M0032120J1-TR	TO-263-7 XL	Reel	800	800	800	MSL 3
C3M0032120J2-TR	TO-263-7 XL	Reel	800	800	800	MSL 1
C3M0032120K	TO-247-4	Tube	30	450	450	-
C3M0032120K1	TO-247-4 LP	Tube	30	450	450	-
C3M0032120U2-TR	U2 (TSC)	Reel	800	800	800	MSL 1
C3M0040120D	TO-247-3	Tube	30	450	450	-
C3M0040120J1	TO-263-7 XL	Tube	50	1,000	1,000	MSL 3
C3M0040120J1-TR	TO-263-7 XL	Reel	800	800	800	MSL 3
C3M0040120J2-TR	TO-263-7 XL	Reel	800	800	800	MSL 1
C3M0040120K	TO-247-4	Tube	30	450	450	-
C3M0040120K1	TO-247-4 LP	Tube	30	450	450	-
C3M0040120U2-TR	U2 (TSC)	Reel	800	800	800	MSL 1

**MOSFETS**

Part Number	Package Type	Container Type	Container Quantity	Factory SPQ	MOQ	MSL
C3M0045065D	TO-247-3	Tube	30	450	450	-
C3M0045065J1	TO-263-7 XL	Tube	50	1,000	1,000	MSL 3
C3M0045065J1-TR	TO-263-7 XL	Reel	800	800	800	MSL 3
C3M0045065K	TO-247-4	Tube	30	450	450	-
C3M0045065L-TR	TOLL	Reel	2000	2000	2000	MSL 3
C3M0045075K1	TO-247-4 LP	Tube	30	450	450	-
C3M0060065D	TO-247-3	Tube	30	450	450	-
C3M0060065J	TO-263-7	Tube	50	1,000	1,000	MSL 3
C3M0060065J-TR	TO-263-7	Reel	800	800	800	MSL 3
C3M0060065K	TO-247-4	Tube	30	450	450	-
C3M0060065L-TR	TOLL	Reel	2000	2000	2000	MSL 3
C3M0060075K1	TO-247-4 LP	Tube	30	450	450	-
C3M0065090D	TO-247-3	Tube	30	450	450	-
C3M0065090J	TO-263-7	Tube	50	1,000	1,000	MSL 3
C3M0065090J-TR	TO-263-7	Reel	800	800	800	MSL 3
C3M0065100J	TO-263-7	Tube	50	1,000	1,000	MSL 3
C3M0065100J-TR	TO-263-7	Reel	800	800	800	MSL 3
C3M0065100K	TO-247-4	Tube	30	450	450	-
C3M0075120D	TO-247-3	Tube	30	450	450	-
C3M0075120D-A	TO-247-3	Tube	30	450	450	-
C3M0075120J	TO-263-7	Tube	50	1,000	1,000	MSL 3
C3M0075120J-TR	TO-263-7	Reel	800	800	800	MSL 3
C3M0075120J2-TR	TO-263-7 XL	Reel	800	800	800	MSL 1
C3M0075120K	TO-247-4	Tube	30	450	450	-
C3M0075120K-A	TO-247-4	Tube	30	450	450	-
C3M0075120K1	TO-247-4 LP	Tube	30	450	450	-
C3M0075120U2-TR	U2 (TSC)	Reel	800	800	800	MSL 1
C3M0120065D	TO-247-3	Tube	30	450	450	-
C3M0120065J	TO-263-7	Tube	50	1,000	1,000	MSL 3
C3M0120065J-TR	TO-263-7	Reel	800	800	800	MSL 3
C3M0120065K	TO-247-4	Tube	30	450	450	-
C3M0120065L-TR	TOLL	Reel	2000	2000	2000	MSL 3
C3M0120090D	TO-247-3	Tube	30	450	450	-
C3M0120090J	TO-263-7	Tube	50	1,000	1,000	MSL 3
C3M0120090J-TR	TO-263-7	Reel	800	800	800	MSL 3
C3M0120100J	TO-263-7	Tube	50	1,000	1,000	MSL 3
C3M0120100J-TR	TO-263-7	Reel	800	1,600	2,400	MSL 3
C3M0120100K	TO-247-4	Tube	30	450	450	-
C3M0160120D	TO-247-3	Tube	30	450	450	-
C3M0160120J	TO-263-7	Tube	50	1,000	1,000	MSL 3
C3M0160120J-TR	TO-263-7	Reel	800	800	800	MSL 3
C3M0160120K1	TO-247-4 LP	Tube	30	450	450	-
C3M0280090D	TO-247-3	Tube	30	450	450	-
C3M0280090J	TO-263-7	Tube	50	1,000	1,000	MSL 3

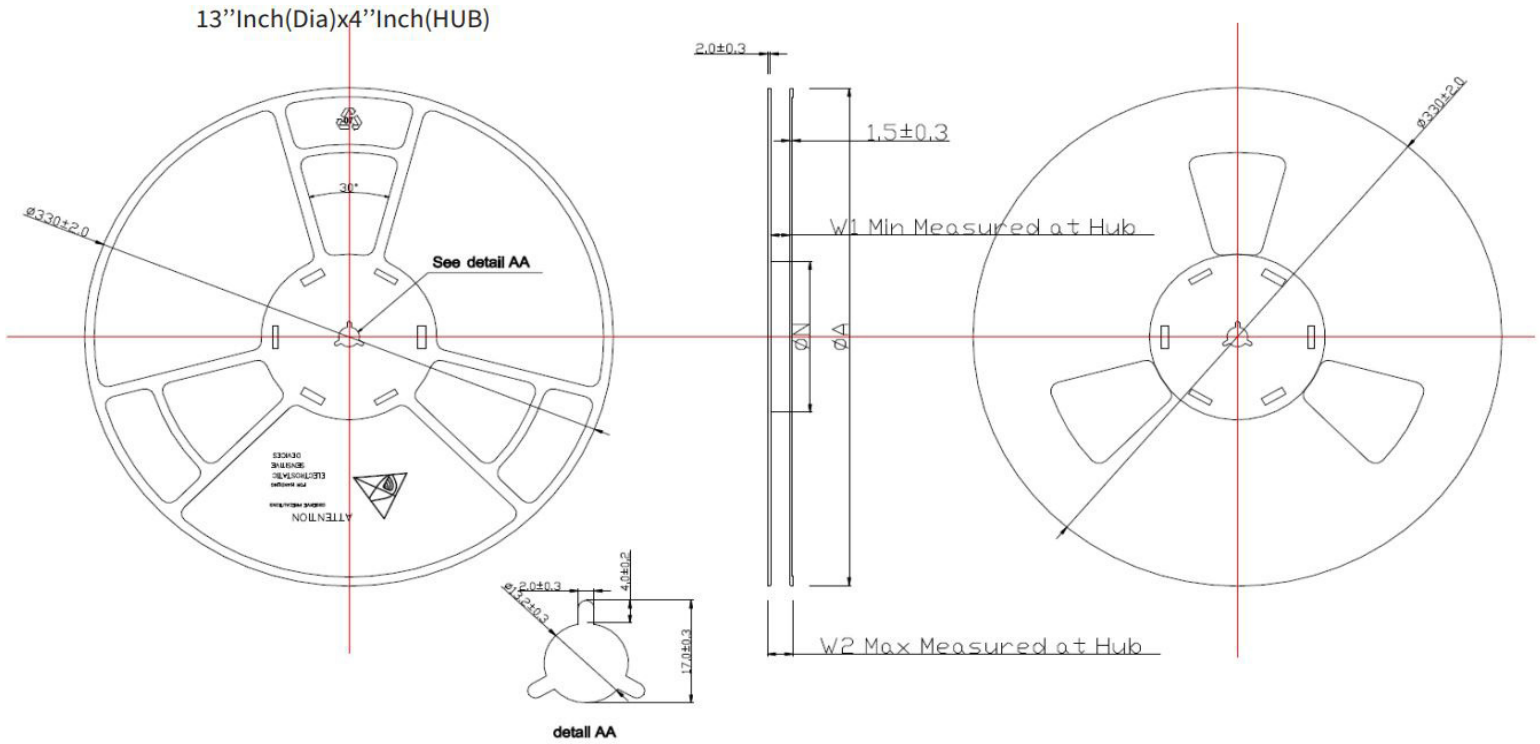
**MOSFETs**

Part Number	Package Type	Container Type	Container Quantity	Factory SPQ	MOQ	MSL
C3M0280090J-TR	TO-263-7	Reel	800	800	800	MSL 3
C3M0350120D	TO-247-3	Tube	30	450	450	-
C3M0350120J	TO-263-7	Tube	50	1,000	1,000	MSL 3
C3M0350120J-TR	TO-263-7	Reel	800	800	800	MSL 3
C3M0900170J-TR	TO-263-7	Reel	800	800	800	MSL 3
C3M0900170D	TO-247-3	Tube	30	450	450	-
C3M0900170M	TO-3PF 3L	Tube	30	450	450	-
C4MS025120J2-TR	TO-263-7 XL	Reel	800	800	800	MSL 1
C4MS025120K	TO-247-4	Tube	30	450	450	-
C4MS025120K1	TO-247-4 LP	Tube	30	450	450	-
C4MS025120U2-TR	U2 (TSC)	Reel	800	800	800	MSL 1
C4MS036120J2-TR	TO-263-7 XL	Reel	800	800	800	MSL 1
C4MS036120K	TO-247-4	Tube	30	450	450	-
C4MS036120K1	TO-247-4 LP	Tube	30	450	450	-
C4MS036120U2-TR	U2 (TSC)	Reel	800	800	800	MSL 1
C4MS047120J2-TR	TO-263-7 XL	Reel	800	800	800	MSL 1
C4MS047120K	TO-247-4	Tube	30	450	450	-
C4MS047120K1	TO-247-4 LP	Tube	30	450	450	-
C4MS047120U2-TR	U2 (TSC)	Reel	800	800	800	MSL 1
C4MS065120J2-TR	TO-263-7 XL	Reel	800	800	800	MSL 1
C4MS065120K	TO-247-4	Tube	30	450	450	-
C4MS065120K1	TO-247-4 LP	Tube	30	450	450	-
C4MS026520U2-TR	U2 (TSC)	Reel	800	800	800	MSL 1
C4MV015065T-TR	TOLT	Reel	1800	1800	1800	MSL 1
E4M0013120K	TO-247-4	Tube	30	450	450	-
E4M0015075J2-TR	TO-263-7 XL	Reel	800	800	800	MSL 3
E4M0015075K1	TO-247-4 LP	Tube	30	450	450	-
E3M0016120K	TO-247-4	Tube	30	450	450	-
E3M0016120U2-TR	U2 (TSC)	Reel	800	800	800	MSL 1
E3M0021120J2-TR	TO-263-7 XL	Reel	800	800	800	MSL 1
E3M0021120K	TO-247-4	Tube	30	450	450	-
E3M0021120U2-TR	U2 (TSC)	Reel	800	800	800	MSL 1
E4M0025075J2-TR	TO-263-7 XL	Reel	800	800	800	MSL 3
E4M0025075K1	TO-247-4 LP	Tube	30	450	450	-
E3M0032120J2-TR	TO-263-7 XL	Reel	800	800	800	MSL 1
E3M0032120K	TO-247-4	Tube	30	450	450	-
E3M0032120U2-TR	U2 (TSC)	Reel	800	800	800	MSL 1
E3M0040120J2-TR	TO-263-7 XL	Reel	800	800	800	MSL 1
E3M0040120K	TO-247-4	Tube	30	450	450	-
E3M0040120U2-TR	U2 (TSC)	Reel	800	800	800	MSL 1
E3M0045065K	TO-247-4	Tube	30	450	450	-
E4M0045075J2-TR	TO-263-7 XL	Reel	800	800	800	MSL 3
E4M0045075K1	TO-247-4 LP	Tube	30	450	450	-

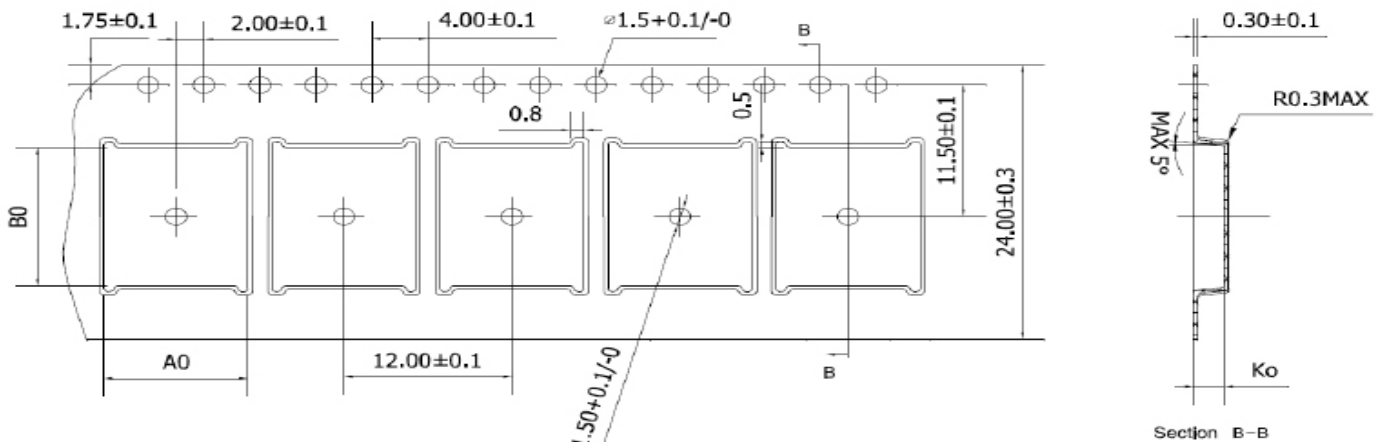
**MOSFETs**

Part Number	Package Type	Container Type	Container Quantity	Factory SPQ	MOQ	MSL
E3M0060065D	TO-247-3	Tube	30	450	450	-
E3M0060065K	TO-247-4	Tube	30	450	450	-
E4M0060075J2-TR	TO-263-7 XL	Reel	800	800	800	MSL 3
E4M0060075K1	TO-247-4 LP	Tube	30	450	450	-
E3M0075120D	TO-247-3	Tube	30	450	450	-
E3M0075120J2-TR	TO-263-7 XL	Reel	800	800	800	MSL 1
E3M0075120K	TO-247-4	Tube	30	450	450	-
E3M0075120U2-TR	U2 (TSC)	Reel	800	800	800	MSL 1
E3M0120090J	TO-263-7	Tube	50	1000	1000	MSL 3
E3M0120090J-TR	TO-263-7 XL	Reel	800	800	800	MSL 3
E3M0160120D	TO-247-3	Tube	30	450	450	-
E3M0160120J2-TR	TO-263-7 XL	Reel	800	800	800	MSL 1
E3M0160120K	TO-247-4	Tube	30	450	450	-
E3M0160120U2-TR	U2 (TSC)	Reel	800	800	800	MSL 1
E3M0900170J-TR	TO-263-7 XL	Reel	800	800	800	MSL 3
E3M0900170D	TO-247-3	Tube	30	450	450	-
E4MS025120J2-TR	TO-263-7 XL	Reel	800	800	800	MSL 1
E4MS025120K	TO-247-4	Tube	30	450	450	-
E4MS025120U2-TR	U2 (TSC)	Reel	800	800	800	MSL 1
E4MS036120J2-TR	TO-263-7 XL	Reel	800	800	800	MSL 1
E4MS036120K	TO-247-4	Tube	30	450	450	-
E4MS036120U2-TR	U2 (TSC)	Reel	800	800	800	MSL 1
E4MS047120J2-TR	TO-263-7 XL	Reel	800	800	800	MSL 1
E4MS047120K	TO-247-4	Tube	30	450	450	-
E4MS047120U2-TR	U2 (TSC)	Reel	800	800	800	MSL 1
E4MS065120J2-TR	TO-263-7 XL	Reel	800	800	800	MSL 1
E4MS065120K	TO-247-4	Tube	30	450	450	-
E4MS065120U2-TR	U2 (TSC)	Reel	800	800	800	MSL 1

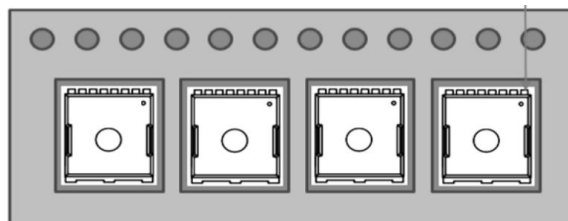
**TOLL (L) Tape & Reel Dimensions**



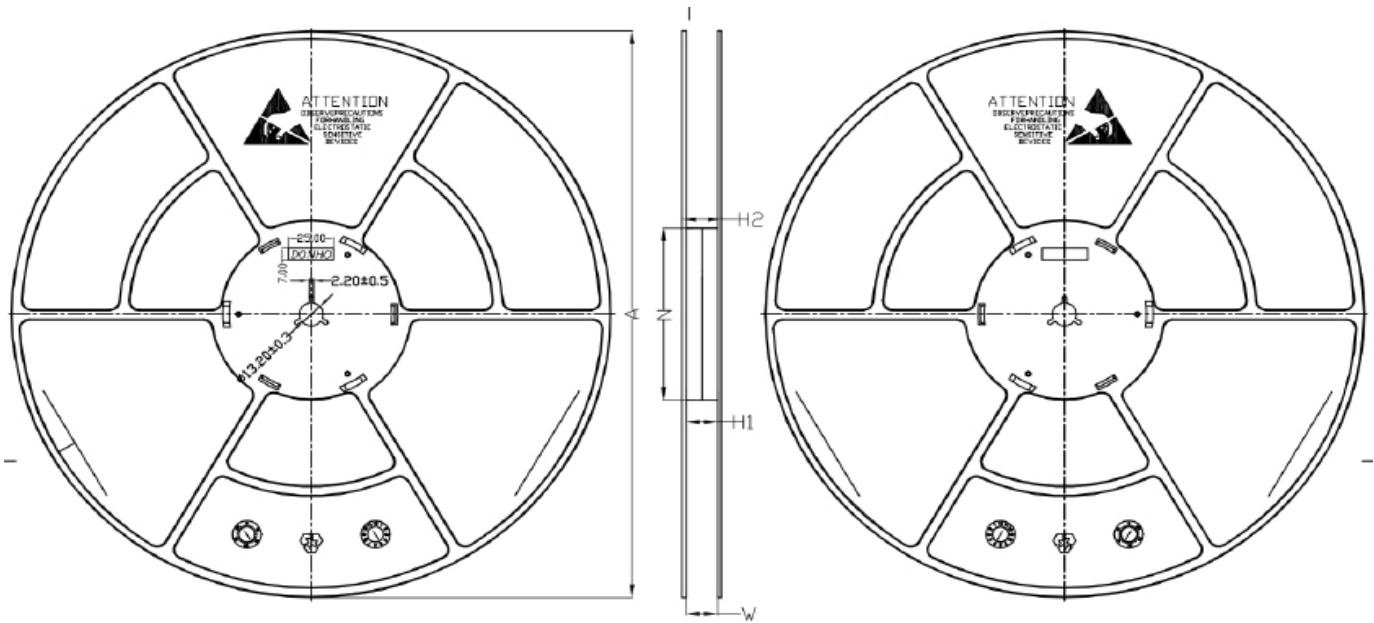
TYPE WIDTH	φA	φN	W1 (Min)	W2 (Max)
24MM	330mm ± 2.0	100mm ± 1.0	24.4mm	31.4mm



Ao=10.30±0.1  
 Bo=12.10±0.1  
 Ko=2.70±0.1

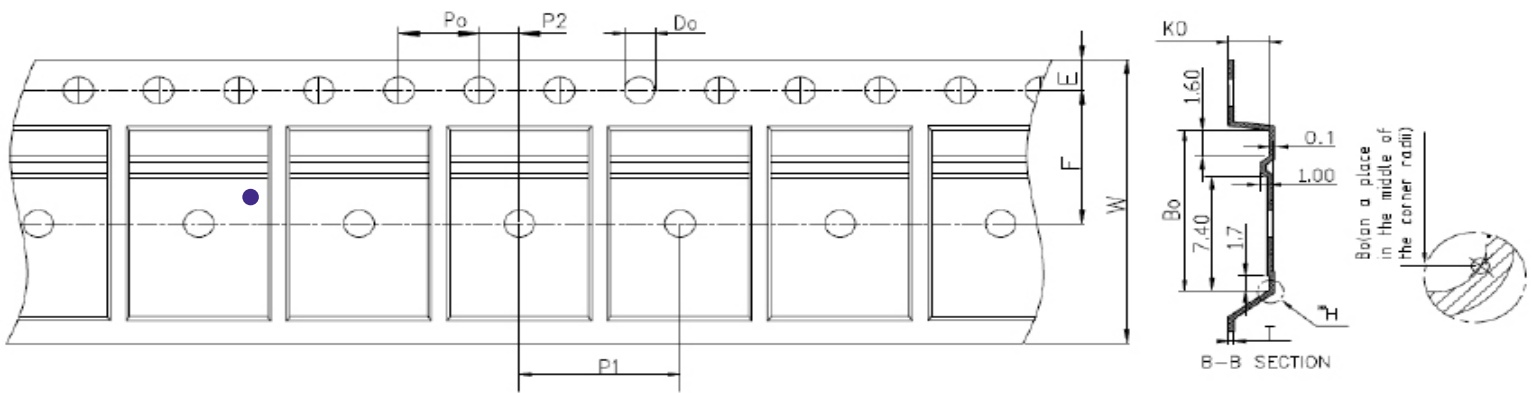


**TO-252-2 (E) Tape & Reel Dimensions**

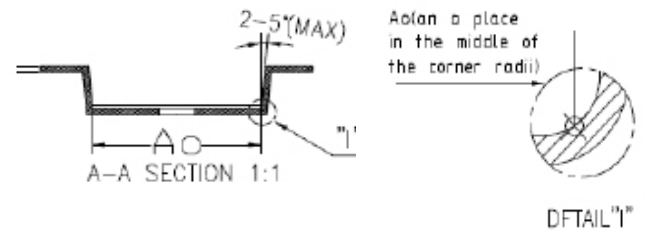


PRODUCT SPECIFICATIONS					
TAPE WIDTH	$\phi A \begin{smallmatrix} +2 \\ -2 \end{smallmatrix}$	$\phi N \begin{smallmatrix} +2 \\ -2 \end{smallmatrix}$	$H1 \begin{smallmatrix} +2 \\ -0 \end{smallmatrix}$	$H2 \begin{smallmatrix} +1 \\ -1 \end{smallmatrix}$	$W \begin{smallmatrix} +3.5 \\ -0.2 \end{smallmatrix}$
8MM	330	100	8.4	12.6	8.4
12MM	330	100	12.4	16.6	12.4
16MM	330	100	16.4	20.6	16.4
24MM	330	100	24.4	28.6	24.4

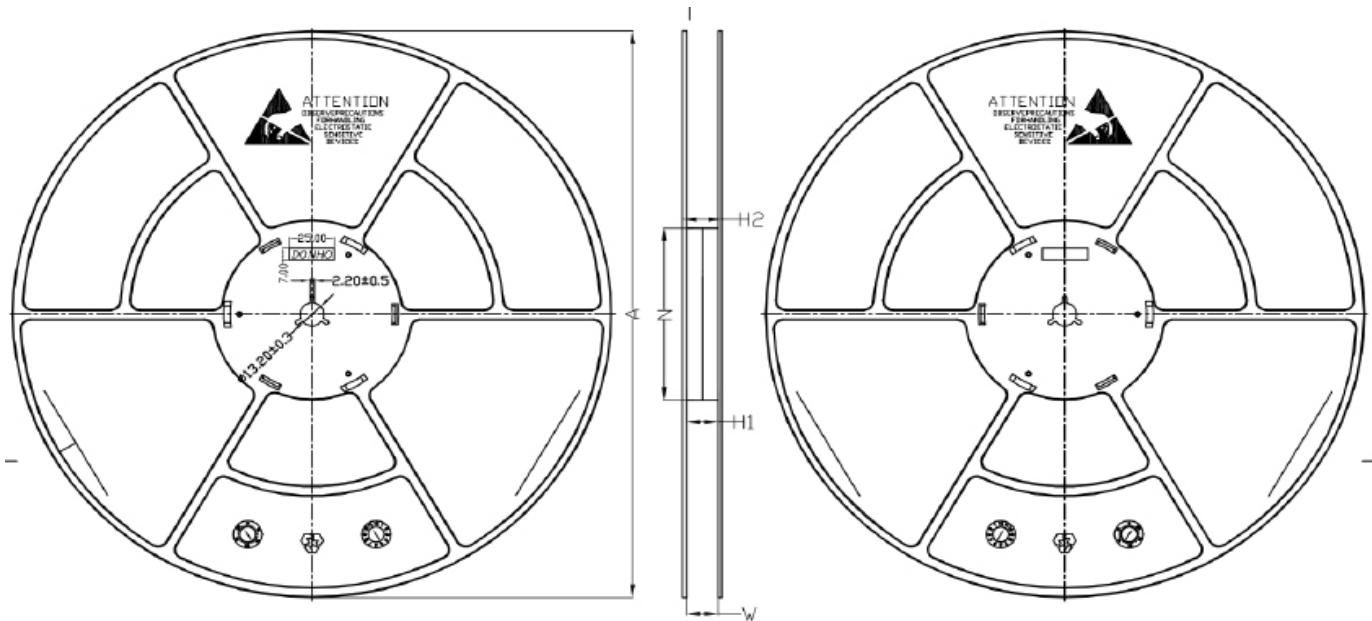
Pin 1 indicated by dot in package drawing.



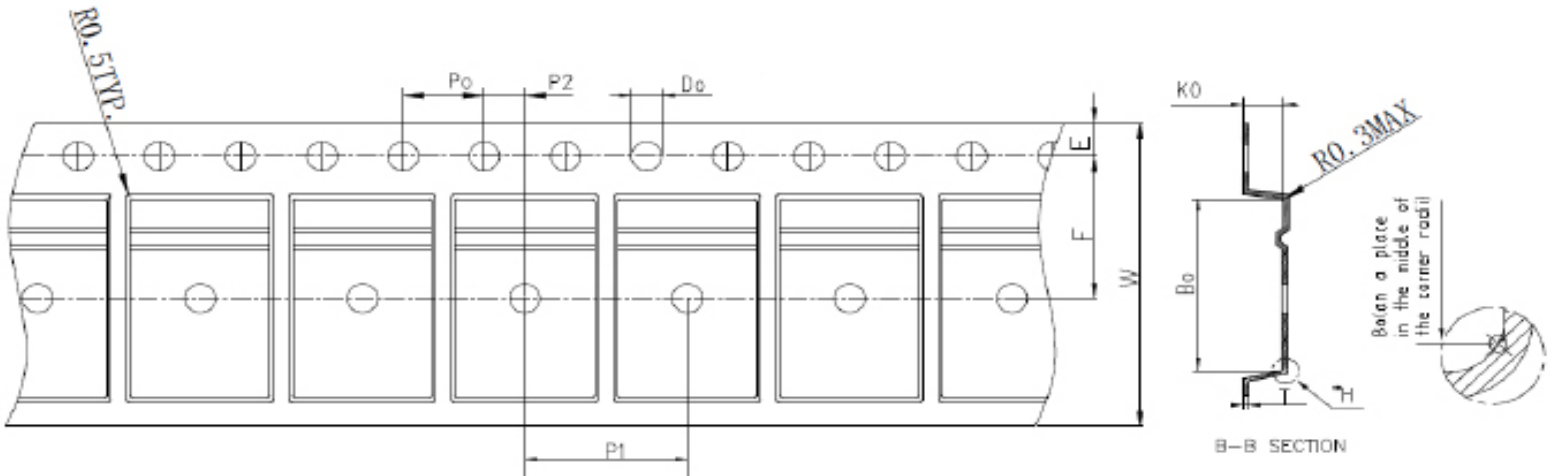
SYMBOL	A0	B0	K0	P0	P1	P2
SPEC	$6.90 \pm 0.10$	$10.50 \pm 0.10$	$2.85 \pm 0.10$	$4.00 \pm 0.10$	$8.00 \pm 0.10$	$2.00 \pm 0.05$
SYMBOL	T	E	F	D0	D1	W
SPEC	$0.30 \pm 0.05$	$1.75 \pm 0.10$	$7.5 \pm 0.10$	$1.55 \pm 0.05$	$1.50 \begin{smallmatrix} +0.10 \\ 0 \end{smallmatrix}$	$16.00 \begin{smallmatrix} +0.20 \\ -0.10 \end{smallmatrix}$



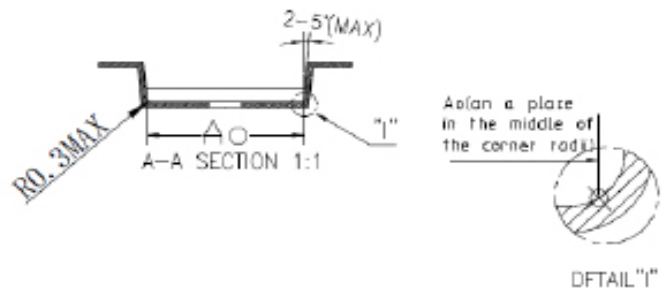
**TO-263-2 (G), TO-263-7L (J) & TO-263-7XL (J1) & TO-263-7 XL (J2) Tape & Reel Dimensions**



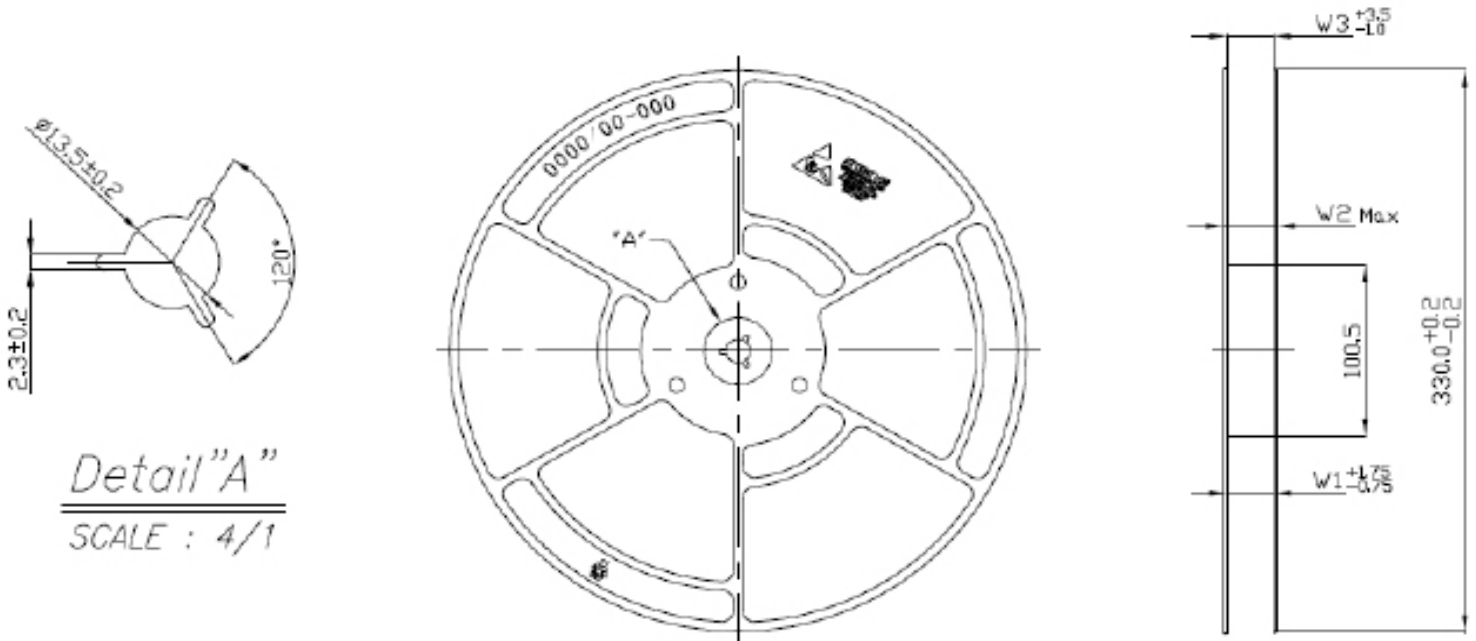
PRODUCT SPECIFICATIONS					
TAPE WIDTH	$\phi A \begin{smallmatrix} +2 \\ -2 \end{smallmatrix}$	$\phi N \begin{smallmatrix} +2 \\ -2 \end{smallmatrix}$	$H1 \begin{smallmatrix} +2 \\ -0 \end{smallmatrix}$	$H2 \begin{smallmatrix} +1 \\ -1 \end{smallmatrix}$	$W \begin{smallmatrix} +3.5 \\ -0.2 \end{smallmatrix}$
8MM	330	100	8.4	12.6	8.4
12MM	330	100	12.4	16.6	12.4
16MM	330	100	16.4	20.6	16.4
24MM	330	100	24.4	28.6	24.4



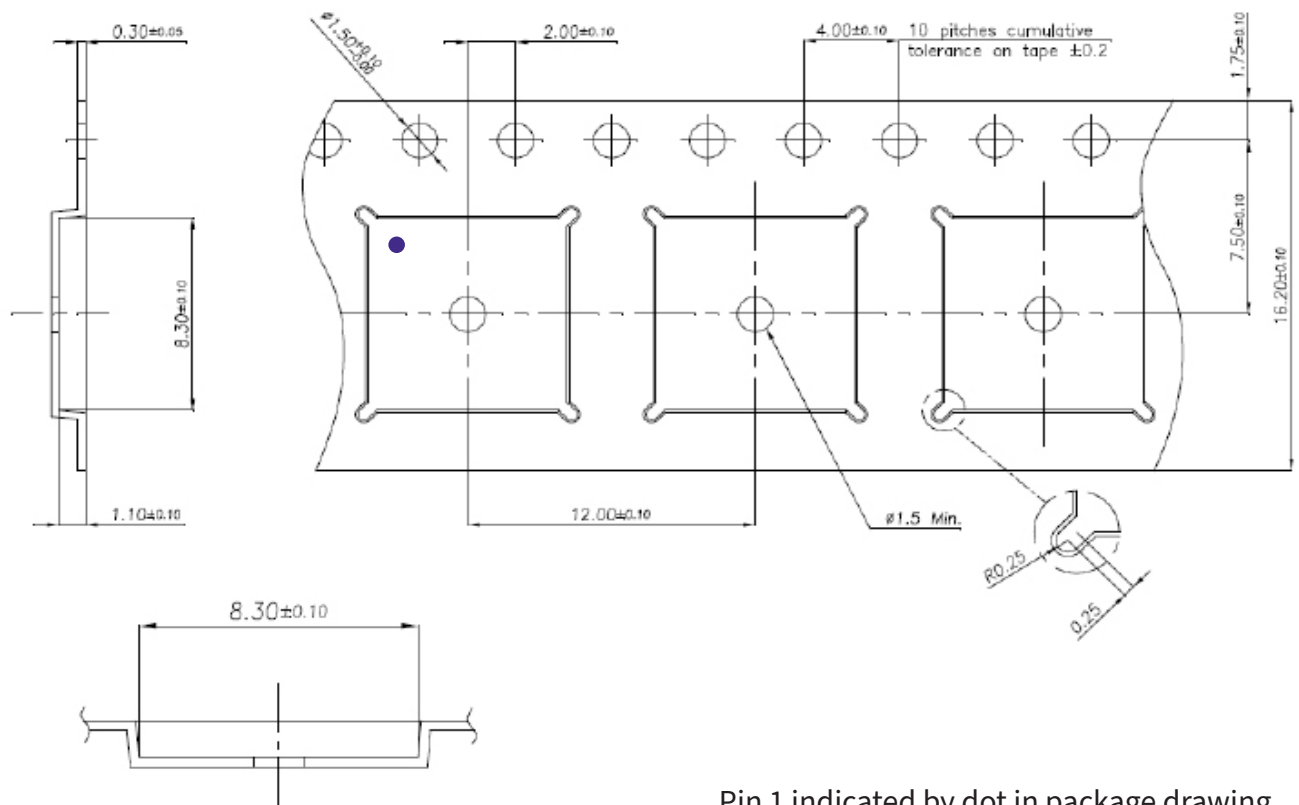
SYMBOL	A0	B0	K0	P0	P1	P2
SPEC	10.60±0.10	16.50±0.10	4.90±0.10	4.00±0.10	16.00±0.10	2.00±0.05
SYMBOL	T	E	F	D0	D1	W
SPEC	0.40±0.05	1.75±0.10	11.5±0.10	1.50±0.10	1.50 <sup>+0.10</sup> <sub>0</sub>	24.00±0.3



**QFN 8x8 (Q) Tape & Reel Dimensions**

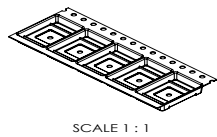
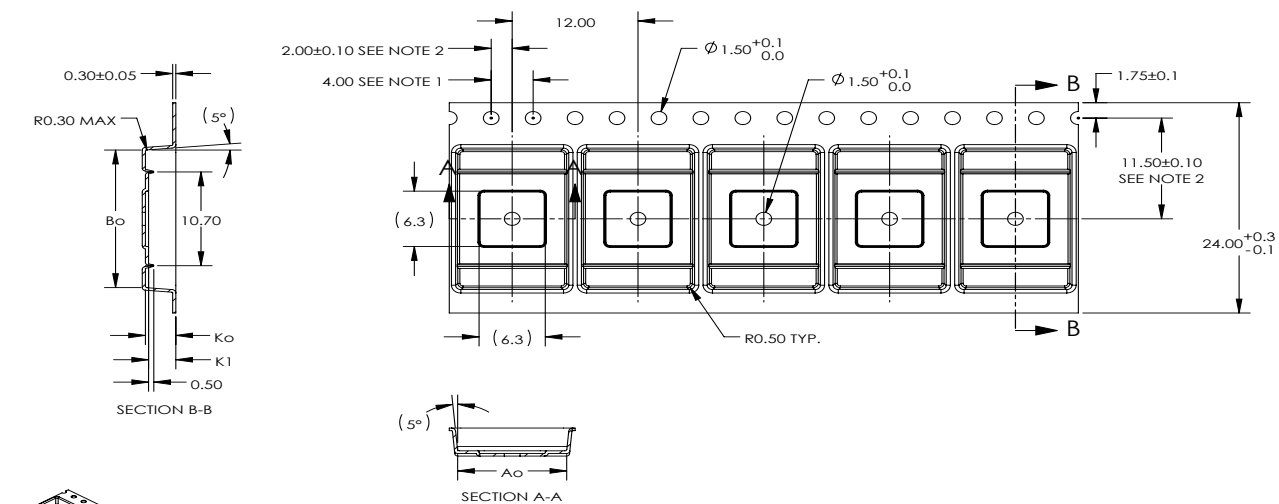
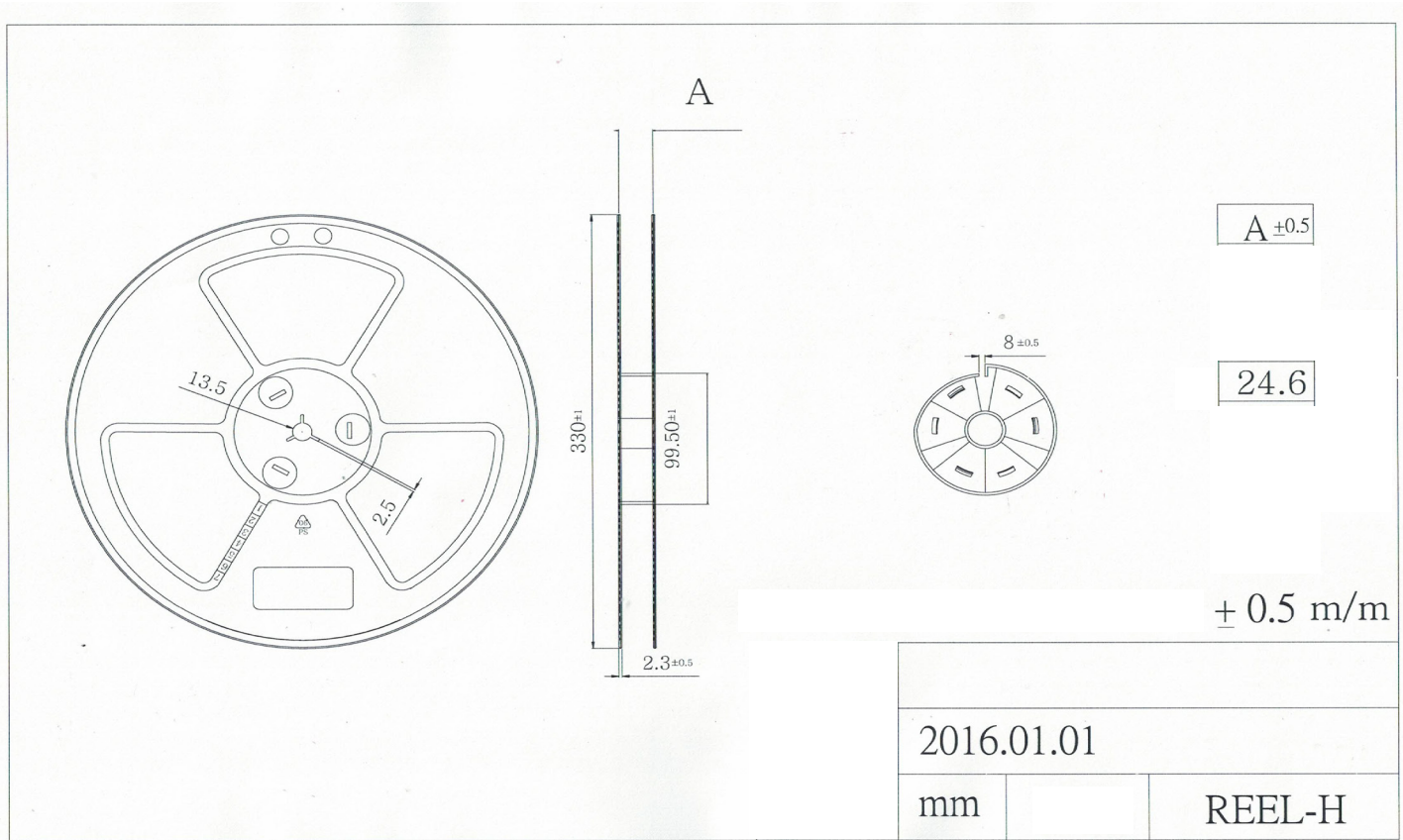


Reel Size "W" (mm)		
W1	W2	W3
17.2	23.5	17.2



Pin 1 indicated by dot in package drawing.

**TOLT (T) Tape & Reel Dimensions**

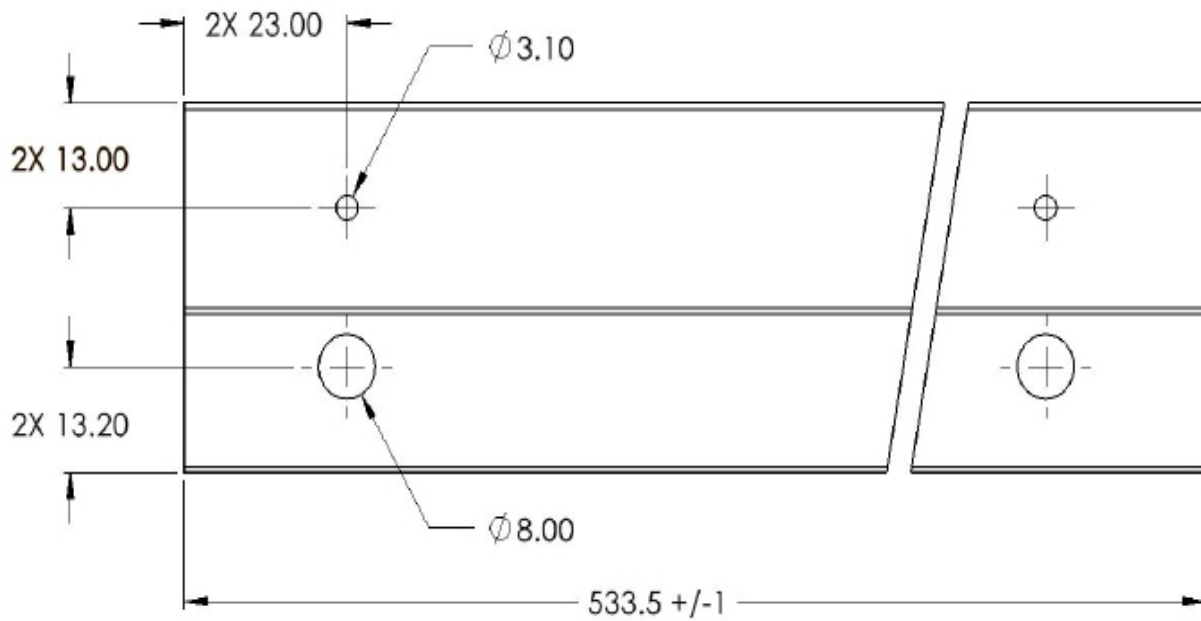


DIM	±
Ao	10.40 0.10
Bo	15.70 0.10
Ko	2.90 0.10
K1	2.60 0.10

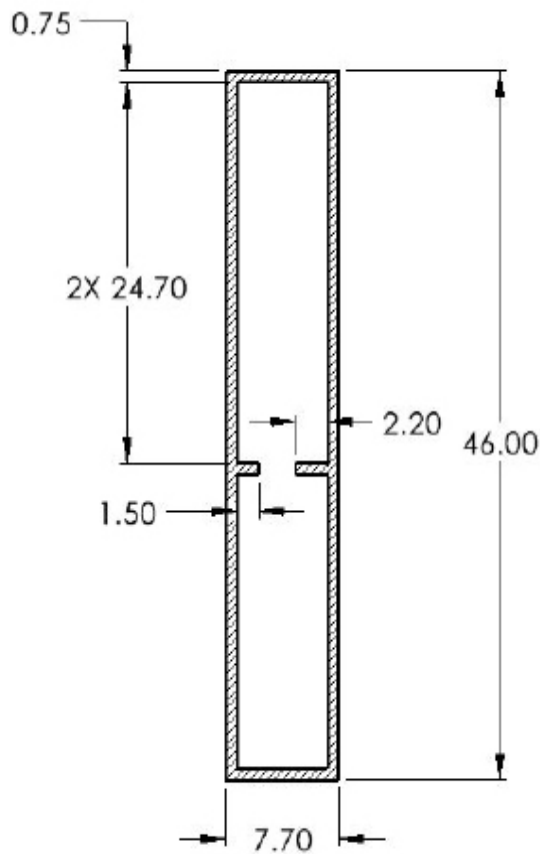
- NOTES:
1. 10 SPROCKET HOLE PITCH CUMULATIVE TOLERANCE ±0.2
  2. POCKET POSITION RELATIVE TO SPROCKET HOLE MEASURED AS TRUE POSITION OF POCKET, NOT POCKET HOLE.
  3. Ao AND Bo ARE MEASURED ON A PLANE AT A DISTANCE "R" ABOVE THE BOTTOM OF THE POCKET.

ALL DIMS IN MILLIMETERS PER ASME Y14.5M TOLERANCES UNLESS SPECIFIED 1 PL ± 0.2 2 PL ± 0.10		MATERIAL PS+C	
DRAWN BY:	WL	APPROVED BY:	JH
DATE:	1/11/2023	SCALE:	3:1
CAD GENERATED DRAWING, DO NOT MANUALLY UPDATE, DO NOT SCALE DRAWING	PROJECT #	SHEET	1 OF 1
	35910.00	SIZE	B
		REV.	O
		DRAWING #	T121312BT

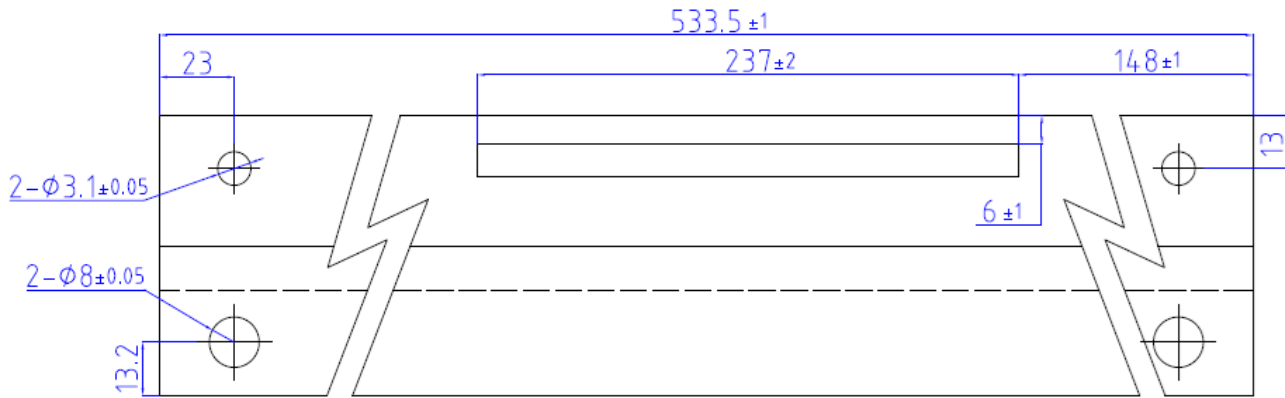
**TO-247-4 (K), TO-247-2 (H), TO-247-3 (D), TO-247-4 Plus (P) Tube Packaging**



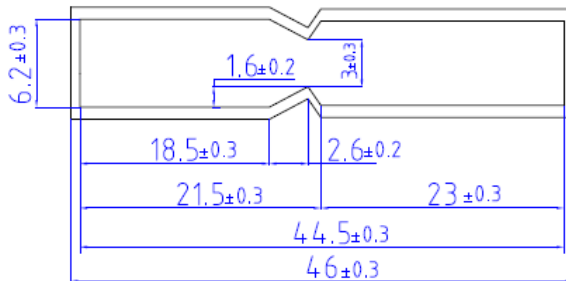
\*All dimensions are in MM



**TO-247-4 LP (K1) Tube Packaging Dimensions**

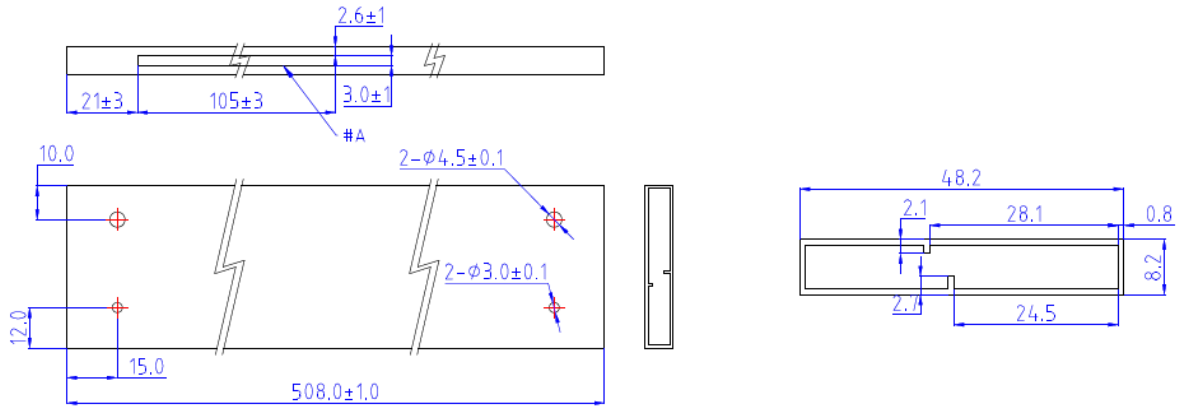


3.5 ± 0.3	ANTISTATIC										STATIC SENSITIVE DEVICES HANDLE ONLY AT STATIC FREE STATION	▲	PVC-X0121		
2.5 ± 0.3	27	64	6	15	24	20	18	12	5	15	11	19	64	6	23



\*All dimensions in mm

**TO-3PF 3L (M) Tube Packaging Dimensions**



#A MARKING LAY-OUT  
 ← ANTISTATIC S Δ 03 PVC

[ NOTE ]

1. TUBE

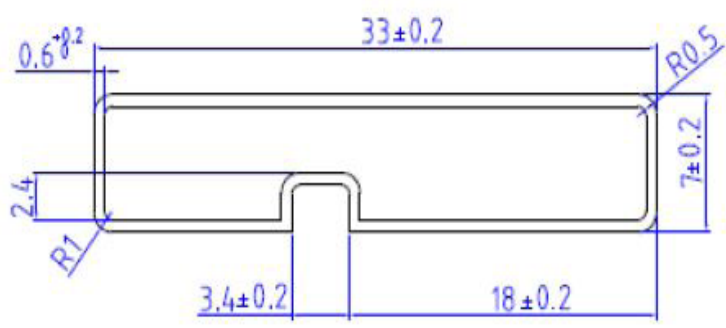
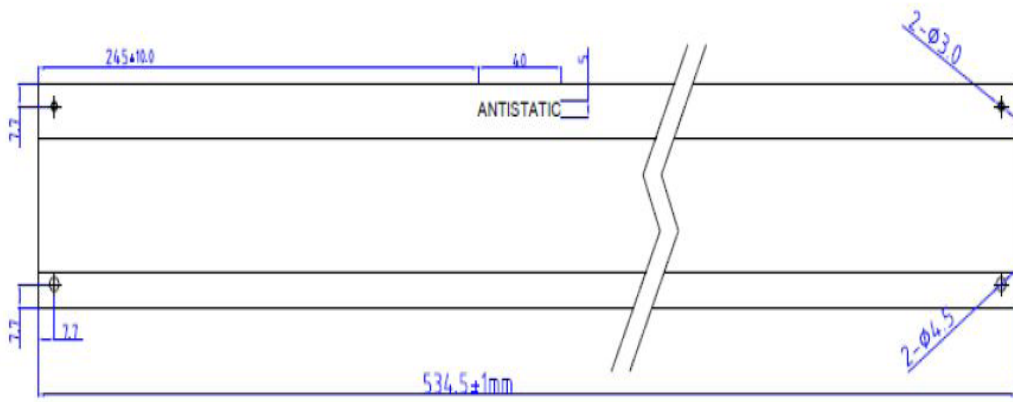
- MATERIAL:P.V.C
- COLOR:TRANSPARENCY

2. PIN

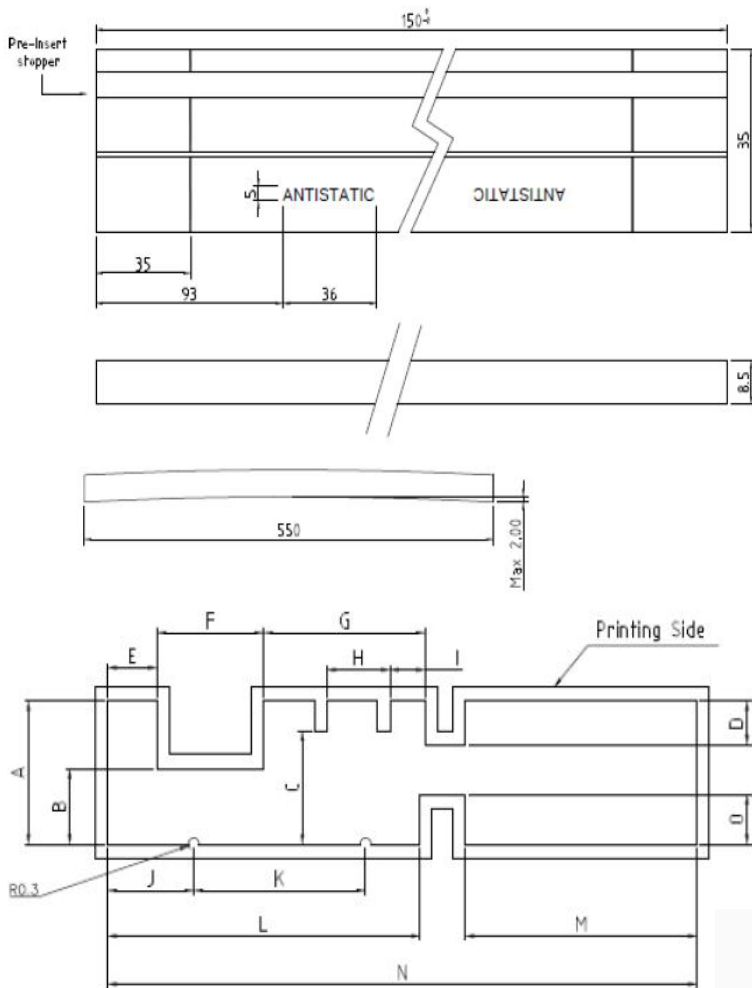
- MATERIAL:NYLON
- COLOR:BLACK



### TO-220-2 (A) and TO-220-Iso (I) Tube Packaging Dimensions



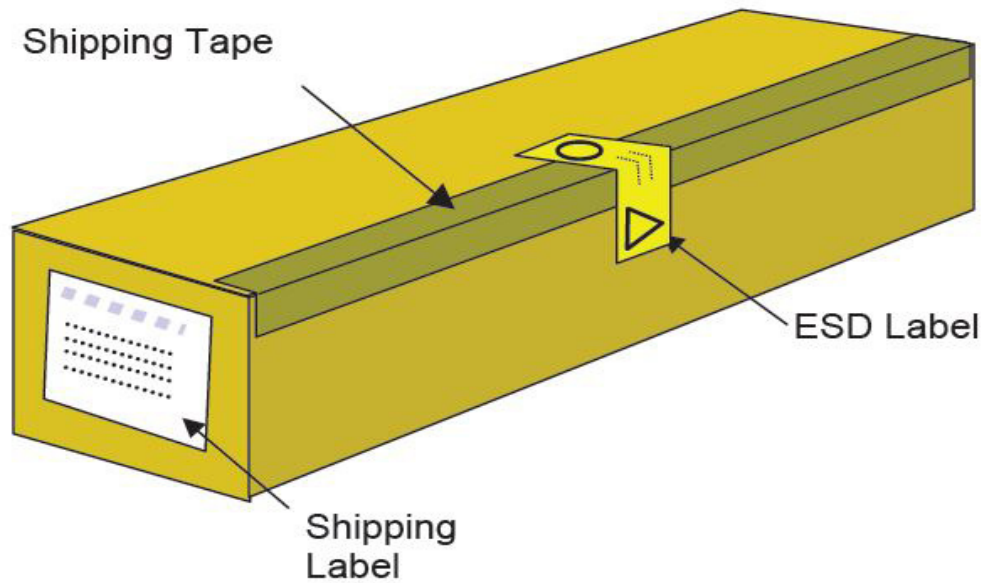
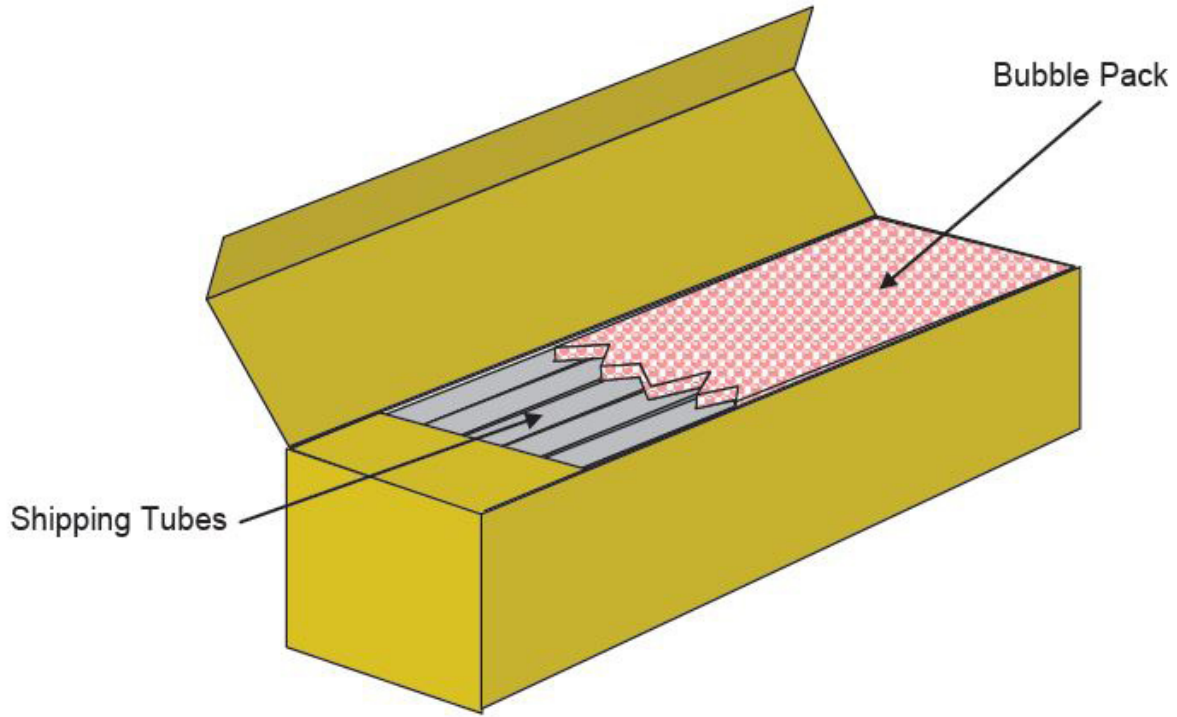
**TO-220-F2 (F) Tube Packaging Dimensions**



Symbol	Min	Nom	Max	Production Control
A	7.00	7.20	7.40	7.00
B	3.60	3.80	4.00	3.80
C	5.50	5.70	5.90	5.90
D	2.00	2.20	2.40	2.20
E	2.60	2.80	3.00	2.70
F	5.90	6.10	6.30	6.00
G	9.00	9.20	9.40	9.20
H	3.40	3.60	3.80	3.40
I	1.80	2.00	2.20	2.10
J	4.70	4.90	5.10	4.90
K	9.60	9.80	10.00	9.80
L	17.60	17.80	18.00	17.70
M	13.00	13.20	13.40	13.20
N	33.40	33.60	33.80	33.40
O	2.30	2.50	2.70	2.30



### Shipping Tube Packing Example



**Revision History**

Document Version	Date of Release	Description of Change
Rev. K	May 2023	
Rev. 1	February 2024	Update version control from Rev. K to Rev. 1 Added E6D 650V Diodes, E3M 1200V J2 Package MOSFETs and E4M 750V MOSFETs
Rev. 2	April 2024	Included E4M0060075K1/J2 MOSFETs, C3M 750V K1 & 1200V J2 Package MOSFETs, C6D16065H & C6D30065H Diodes
Rev. 3	March 2025	TO-263-7 XL (J1) products updated to MSL3 Added C3M and E3M 1700V 900mO MOSFETs Added TO-263-7 XL (J2), TO-220-2 (A, I, F), TO-247-4 Plus (P) and TO-247-4 LP (K1) tube dimensions Updated Legal Disclaimer
Rev. 4	November 2025	Added C3M 25mO TOLL PN# C3M/E3M 1200V U2 MOSFET products added C3M/E3M 21mO J2 PN#s updated from MSL 3 to MSL 1 TOLT T&R info added Added C3M 30mO 1700V PN#s Added C4MS/E4MS 1200V Phase 1 PN#s

## Notes & Disclaimer

---

WOLFSPEED PROVIDES TECHNICAL AND RELIABILITY DATA, DESIGN RESOURCES, APPLICATION OR OTHER DESIGN ADVICE, WEB TOOLS, AND OTHER RESOURCES “AS IS” AND WITH ALL FAULTS, AND DISCLAIMS ALL WARRANTIES, EXPRESS AND IMPLIED, WITH RESPECT THERETO, INCLUDING WITHOUT LIMITATION ANY IMPLIED WARRANTIES OF MERCHANTABILITY, SUITABILITY, FITNESS FOR A PARTICULAR PURPOSE, OR NON-INFRINGEMENT OF THIRD-PARTY INTELLECTUAL PROPERTY RIGHTS.

This document and the information contained herein are subject to change without notice. Any such change shall be evidenced by the publication of an updated version of this document by Wolfspeed. No communication from any employee or agent of Wolfspeed or any third party shall effect an amendment or modification of this document. No responsibility is assumed by Wolfspeed for any infringement of patents or other rights of third parties which may result from use of the information contained herein. No license is granted by implication or otherwise under any patent or patent rights of Wolfspeed.

The information contained in this document (excluding examples, as well as figures or values that are labeled as “typical”) constitutes Wolfspeed’s sole published specifications for the subject product. “Typical” parameters are the average values expected by Wolfspeed in large quantities and are provided for informational purposes only. Any examples provided herein have not been produced under conditions intended to replicate any specific end use. Product performance can and does vary due to a number of factors.

This product has not been designed or tested for use in, and is not intended for use in, any application in which failure of the product would reasonably be expected to cause death, personal injury, or property damage. For purposes of (but without limiting) the foregoing, this product is not designed, intended, or authorized for use as a critical component in equipment implanted into the human body, life-support machines, cardiac defibrillators, and similar emergency medical equipment; air traffic control systems; or equipment used in the planning, construction, maintenance, or operation of nuclear facilities. Notwithstanding any application-specific information, guidance, assistance, or support that Wolfspeed may provide, the buyer of this product is solely responsible for determining the suitability of this product for the buyer’s purposes, including without limitation (1) selecting the appropriate Wolfspeed products for the buyer’s application, (2) designing, validating, and testing the buyer’s application, and (3) ensuring the buyer’s application meets applicable standards and any other legal, regulatory, and safety-related requirements.

### RoHS Compliance

The levels of RoHS restricted materials in this product are below the maximum concentration values (also referred to as the threshold limits) permitted for such substances, or are used in an exempted application, in accordance with EU Directive 2011/65/EC (RoHS2), as implemented January 2, 2013. RoHS Declarations for this product can be obtained from your Wolfspeed representative or from the Product Documentation sections of [www.wolfspeed.com](http://www.wolfspeed.com).

### REACH Compliance

REACH substances of high concern (SVHCs) information is available for this product. Since the European Chemical Agency (ECHA) has published notice of their intent to frequently revise the SVHC listing for the foreseeable future, please contact your Wolfspeed representative to ensure you get the most up-to-date REACH SVHC Declaration. REACH banned substance information (REACH Article 67) is also available upon request.

### Contact info:

4600 Silicon Drive  
Durham, NC 27703 USA  
Tel: +1.919.313.5300  
[www.wolfspeed.com/power](http://www.wolfspeed.com/power)

© 2025 Wolfspeed, Inc. All rights reserved. Wolfspeed®, the Wolfspeed logo, and the Wolfstreak logo are registered trademarks and the Wolfspeed logo is a trademark of Wolfspeed, Inc.  
PATENT: <https://www.wolfspeed.com/legal/patents>

The information in this document is subject to change without notice.