

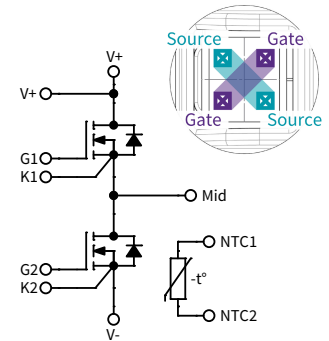
# CAB320M17XM3

1700 V, 3.5 mΩ, Silicon Carbide, Half-Bridge Module

$V_{DS}$	<b>1700 V</b>
$I_{DS}$	<b>320 A</b>

## Technical Features

- High Power Density Footprint
- High Junction Temperature (175 °C) Operation
- Low-Inductance (6.7 nH) Design
- Implements WolfSpeed's Third Generation SiC MOSFET Technology
- Silicon Nitride Insulator and Copper Baseplate
- 1700 V Drain-Source Voltage
- Cross-pin Gate-Source Signal Pinout



## Applications

- Energy
- Medical
- Motor & Motion Control
- Test and Production Equipment
- Transportation
- Traction Inverters

## System Benefits

- Terminal layout allows for direct bus bar connection without bends or bushings enabling a simple, low-inductance design.
- Isolated, integrated temperature sensing enables high-level temperature protection.
- Dedicated high-side Kelvin-drain pin enables direct voltage sensing for gate driver overcurrent protection.
- 1700 V<sub>DS</sub> allows use with higher bus voltage (typically up to 1.4 kV).

## Maximum Parameters (Verified by Design)

Parameter	Symbol	Min.	Typ.	Max.	Unit	Test Conditions	Note
Drain-Source Voltage	$V_{DS}$			1700	V		Fig. 33
Gate-Source Voltage, Maximum Value	$V_{GS\ max}$	-8		+19		Transient, < 100Hz	
Gate-Source Voltage, Recommended Operating Value	$V_{GS\ op}$	-4		+15		Static	
DC Continuous Drain Current	$I_D$		438		A	$V_{GS} = 15\ V, T_C = 25\ ^\circ C, T_{VJ} \leq 175\ ^\circ C$	Fig. 20
			333			$V_{GS} = 15\ V, T_C = 90\ ^\circ C, T_{VJ} \leq 175\ ^\circ C$	
DC Source-Drain Current (Body Diode)	$I_{SD\ BD}$		312			$V_{GS} = -4\ V, T_C = 25\ ^\circ C, T_{VJ} \leq 175\ ^\circ C$	
Maximum Pulsed Drain-Source Current	$I_D\ (pulsed)$			640		$t_{pmax}$ limited by $T_{VJ\ op}$ $V_{GS} = 15\ V, T_C = 25\ ^\circ C$	
Maximum Virtual Junction Temperature under Switching Conditions	$T_{VJ\ op}$	-40		175	°C		



### MOSFET Characteristics (Per Position) ( $T_{VJ} = 25\text{ }^{\circ}\text{C}$ unless otherwise specified)

Parameter	Symbol	Min.	Typ.	Max.	Unit	Test Conditions	Note
Drain-Source Breakdown Voltage	$V_{(BR)DSS}$	1700				$V_{GS} = 0\text{ V}, T_{VJ} = -40\text{ }^{\circ}\text{C}$	
Gate Threshold Voltage	$V_{GS(th)}$	1.8	2.5	3.6	V	$V_{DS} = V_{GS}, I_{DS} = 127\text{ mA}$	
			2.0			$V_{DS} = V_{GS}, I_{DS} = 127\text{ mA}, T_{VJ} = 175\text{ }^{\circ}\text{C}$	
Zero Gate Voltage Drain Current	$I_{DSS}$		5	200	$\mu\text{A}$	$V_{GS} = 0\text{ V}, V_{DS} = 1700\text{ V}$	
Gate-Source Leakage Current	$I_{GSS}$		5	1250	nA	$V_{GS} = 15\text{ V}, V_{DS} = 0\text{ V}$	
Drain-Source On-State Resistance (MOSFET Only)	$R_{DS(on)}$		3.5	4.6	m $\Omega$	$V_{GS} = 15\text{ V}, I_D = 320\text{ A}$	Fig. 2 Fig. 3
			8.0			$V_{GS} = 15\text{ V}, I_D = 320\text{ A}, T_{VJ} = 175\text{ }^{\circ}\text{C}$	
Transconductance	$g_{fs}$		256		S	$V_{DS} = 20\text{ V}, I_D = 320\text{ A}$	Fig. 4
			250			$V_{DS} = 20\text{ V}, I_D = 320\text{ A}, T_{VJ} = 175\text{ }^{\circ}\text{C}$	
Turn-On Switching Energy, $T_{VJ} = 25\text{ }^{\circ}\text{C}$ $T_{VJ} = 125\text{ }^{\circ}\text{C}$ $T_{VJ} = 175\text{ }^{\circ}\text{C}$	$E_{On}$		28.4 27.8 30.5		mJ	$V_{DD} = 900\text{ V},$ $I_D = 320\text{ A},$ $V_{GS} = -4\text{ V}/15\text{ V},$ $R_{G(ON)} = 6.8\text{ }\Omega, R_{G(OFF)} = 0\text{ }\Omega,$ $L = 13.4\text{ }\mu\text{H}$	Fig. 11 Fig. 13
Turn-Off Switching Energy, $T_{VJ} = 25\text{ }^{\circ}\text{C}$ $T_{VJ} = 125\text{ }^{\circ}\text{C}$ $T_{VJ} = 175\text{ }^{\circ}\text{C}$	$E_{Off}$		6.9 6.9 6.3				
Internal Gate Resistance	$R_{G(int)}$	1.0	1.5	1.9	$\Omega$	$f = 100\text{ kHz}, V_{AC} = 25\text{ mV}$	
Input Capacitance	$C_{iss}$		37.6		nF	$V_{GS} = 0\text{ V}, V_{DS} = 1000\text{ V},$ $V_{AC} = 25\text{ mV}, f = 100\text{ kHz}$	Fig. 9
Output Capacitance	$C_{oss}$		1.0				
Reverse Transfer Capacitance	$C_{rss}$		46		pF		
Gate to Source Charge	$Q_{GS}$		400		nC	$V_{DS} = 1200\text{ V}, V_{GS} = -4\text{ V}/15\text{ V},$ $I_D = 461\text{ A},$ Per IEC60747-8-4 pg 21	
Gate to Drain Charge	$Q_{GD}$		350				
Total Gate Charge	$Q_G$		1245				
FET Thermal Resistance, Junction to Case	$R_{thJC}$		0.097		$^{\circ}\text{C}/\text{W}$		Fig. 17

### Diode Characteristics (Per Position) ( $T_{VJ} = 25\text{ }^{\circ}\text{C}$ unless otherwise specified)

Parameter	Symbol	Min.	Typ.	Max.	Unit	Test Conditions	Notes
Body Diode Forward Voltage	$V_{SD}$		5.5		V	$V_{GS} = -4\text{ V}, I_{SD} = 320\text{ A}$	Fig. 7
			4.7			$V_{GS} = -4\text{ V}, I_{SD} = 320\text{ A}, T_{VJ} = 175\text{ }^{\circ}\text{C}$	
Reverse Recovery Time	$t_{RR}$		95		ns	$V_{GS} = -4\text{ V}, I_{SD} = 320\text{ A}, V_R = 900\text{ V},$ $di/dt = 5\text{ A/ns}, T_{VJ} = 175\text{ }^{\circ}\text{C}$	
Reverse Recovery Charge	$Q_{RR}$		9.5		$\mu\text{C}$		
Peak Reverse Recovery Current	$I_{RRM}$		158		A		
Reverse Recovery Energy, $T_{VJ} = 25\text{ }^{\circ}\text{C}$ $T_{VJ} = 125\text{ }^{\circ}\text{C}$ $T_{VJ} = 175\text{ }^{\circ}\text{C}$	$E_{RR}$		0.3 2.0 3.7		mJ	$V_{DD} = 900\text{ V}, I_D = 320\text{ A},$ $V_{GS} = -4\text{ V}/15\text{ V}, R_{G(ON)} = 6.8\text{ }\Omega,$ $L = 13.4\text{ }\mu\text{H}$	Fig. 14



### Temperature Sensor (NTC) Characteristics

Parameter	Symbol	Min.	Typ.	Max.	Unit	Test Conditions
Resistance at 25°C	R <sub>25</sub>		4700		Ω	T <sub>NTC</sub> = 25 °C
Tolerance of R <sub>25</sub>				±1	%	
Beta Value for 25 °C to 85 °C	B <sub>25/85</sub>		3435		K	
Beta Value for 0 °C to 100 °C	B <sub>0/100</sub>		3399		K	
Tolerance of B <sub>25/85</sub>				±1	%	
Maximum Power Dissipation	P <sub>25</sub>			50	mW	

### Steinhart & Hart Coefficients for NTC Resistance & NTC Temperature Computation (T in K)

$$\ln\left(\frac{R}{R_{25}}\right) = A + \frac{B}{T} + \frac{C}{T^2} + \frac{D}{T^3}$$

$$\frac{1}{T} = A_1 + B_1 \ln\left(\frac{R}{R_{25}}\right) + C_1 \ln^2\left(\frac{R}{R_{25}}\right) + D_1 \ln^3\left(\frac{R}{R_{25}}\right)$$

A	B	C	D
-1.289E+01	4.245E+03	-8.749E+04	-9.588E+06

A <sub>1</sub>	B <sub>1</sub>	C <sub>1</sub>	D <sub>1</sub>
3.354E-03	3.001E-04	5.085E-06	2.188E-07

### Module Physical Characteristics

Parameter	Symbol	Min.	Typ.	Max.	Unit	Test Conditions
Package Resistance, M1 (High-Side)	R <sub>3-1</sub>		0.72		mΩ	T <sub>C</sub> = 125 °C, Note 1 & 2
Package Resistance, M2 (Low-Side)	R <sub>1-2</sub>		0.63			T <sub>C</sub> = 125 °C, Note 1 & 2
Stray Inductance	L <sub>Stray</sub>		6.7		nH	Between terminals 2 & 3, f = 10 MHz
Case Temperature	T <sub>C</sub>	-40		125	°C	
Mounting Torque	M <sub>S</sub>	2.0	3.0	4.0	N-m	Baseplate, M4 bolts
		2.0	4.0	5.0		Power Terminals, M5 bolts
Weight	W		175		g	
Case Isolation Voltage	V <sub>isol</sub>	4.0			kV	AC, 50 Hz, 1 minute
Comparative Tracking Index	CTI	600				
Clearance Distance		12.5			mm	From 2 to 3, Note 2
		11.5				From 1 to Baseplate, Note 2
		5.7				From 2 to 5, Note 2
		13.7				From 5 to Baseplate, Note 2
Creepage Distance		14.7				From 2 to 3, Note 2
		14.0				From 1 to Baseplate, Note 2
		14.7				From 2 to 5, Note 2
		14.3				From 5 to Baseplate, Note 2

Note:

<sup>1</sup> Total Effective Resistance (Per Switch Position) = MOSFET R<sub>DS(ON)</sub> + Switch Position Package Resistance

<sup>2</sup> Numbers reference the connections from the Schematics and Pin Out section of this document

Typical Performance

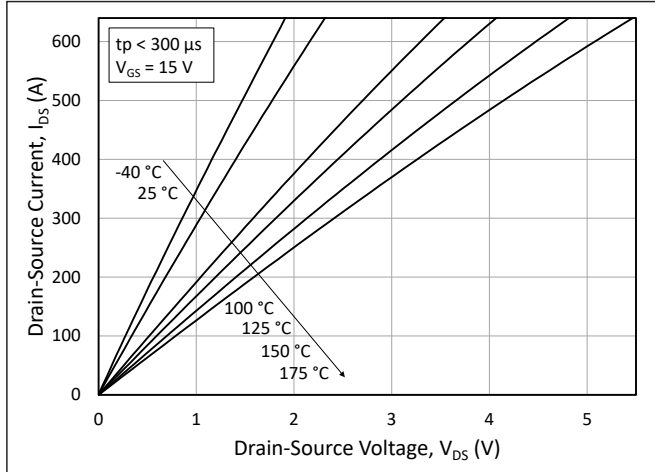


Figure 1. Output Characteristics for Various Junction Temperatures

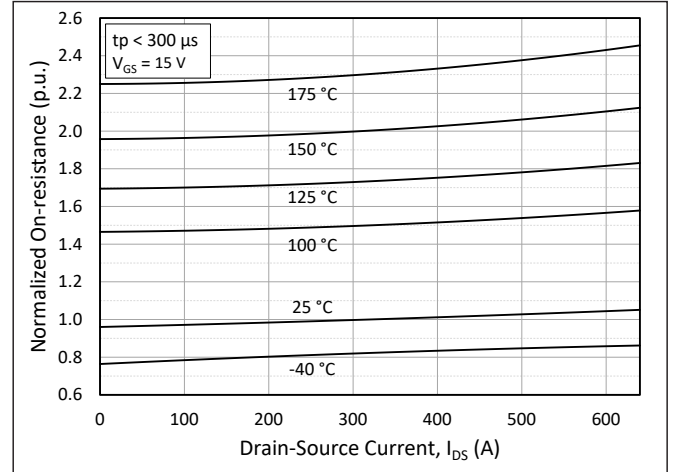


Figure 2. Normalized On-State Resistance vs. Drain Current for Various Junction Temperatures

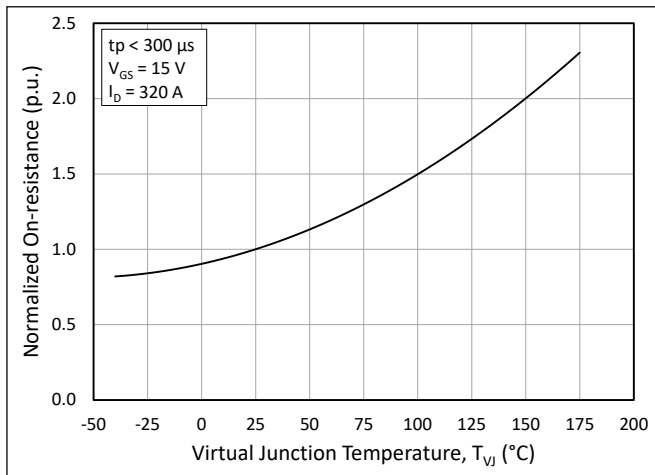


Figure 3. Normalized On-State Resistance vs. Junction Temperature

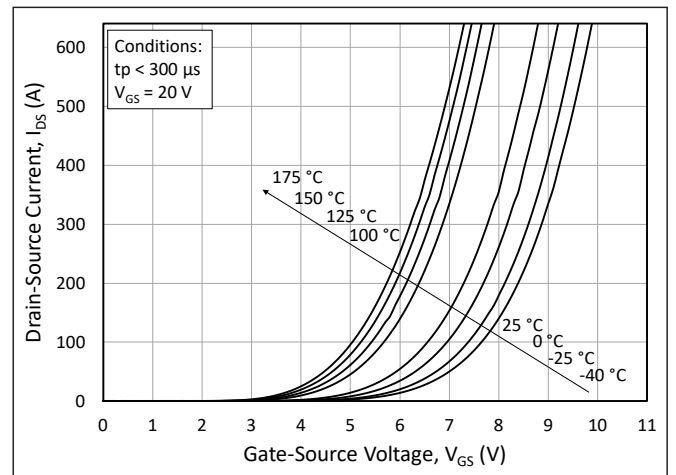


Figure 4. Transfer Characteristic for Various Junction Temperatures

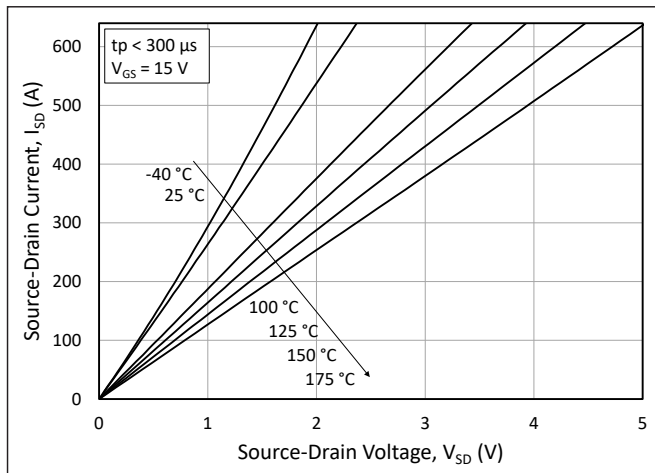


Figure 5. 3<sup>rd</sup> Quadrant Characteristic vs. Junction Temperatures at  $V_{GS} = 15\text{ V}$

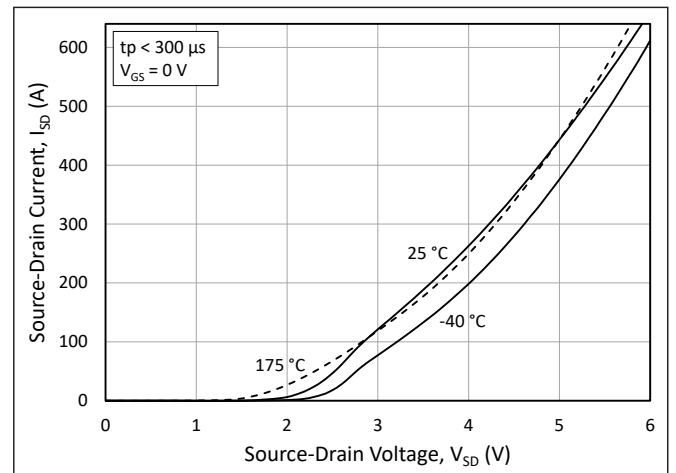


Figure 6. 3<sup>rd</sup> Quadrant Characteristic vs. Junction Temperatures at  $V_{GS} = 0\text{ V}$



Typical Performance

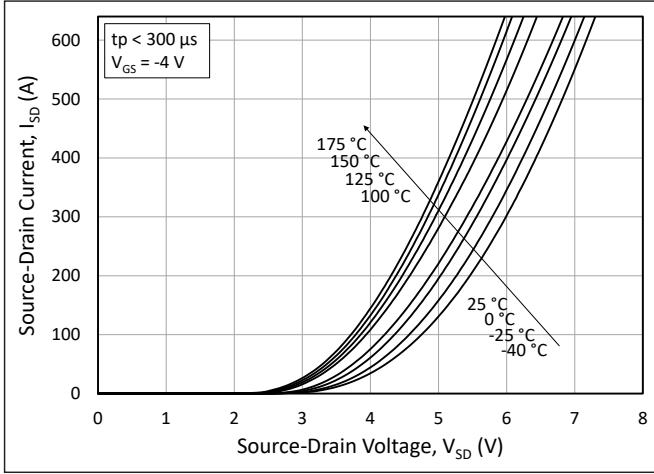


Figure 7. 3<sup>rd</sup> Quadrant Characteristic vs. Junction Temperatures at  $V_{GS} = -4$  V (Body Diode)

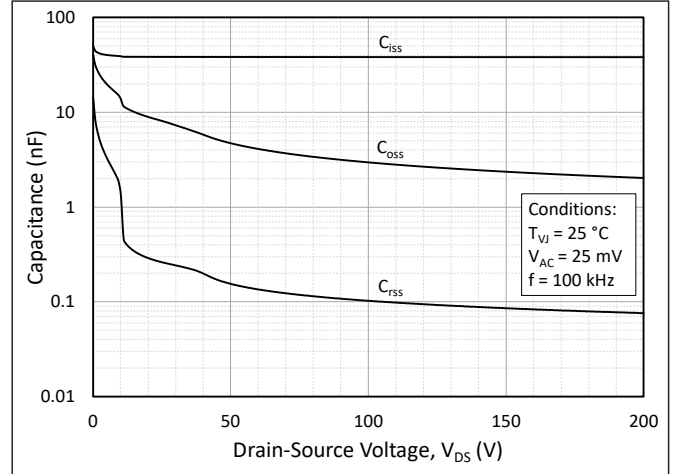


Figure 8. Typical Capacitances vs. Drain to Source Voltage (0 - 200 V)

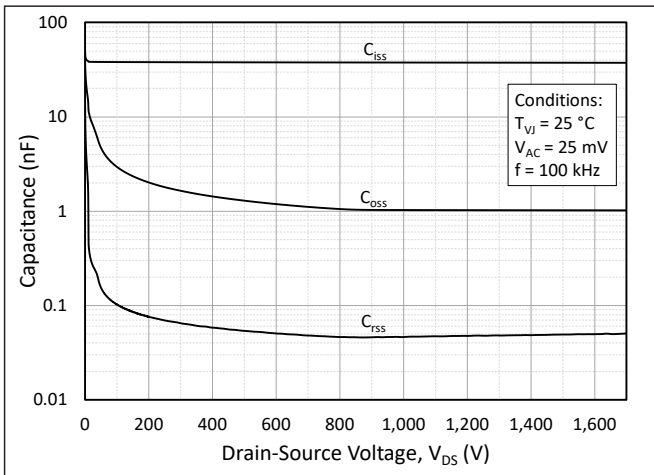


Figure 9. Typical Capacitances vs. Drain to Source Voltage (0 - 1700 V)

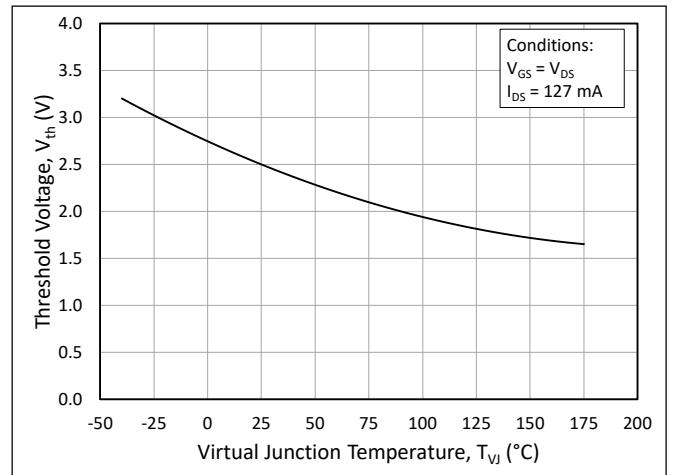


Figure 10. Threshold Voltage vs. Junction Temperature

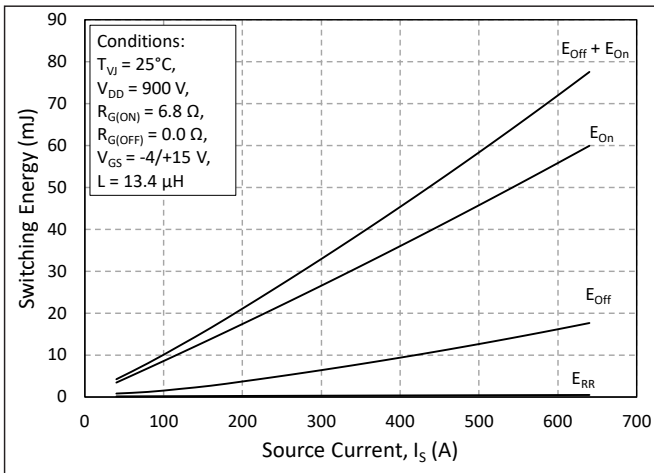


Figure 11. Switching Energy vs. Drain Current ( $V_{DD} = 900$  V)

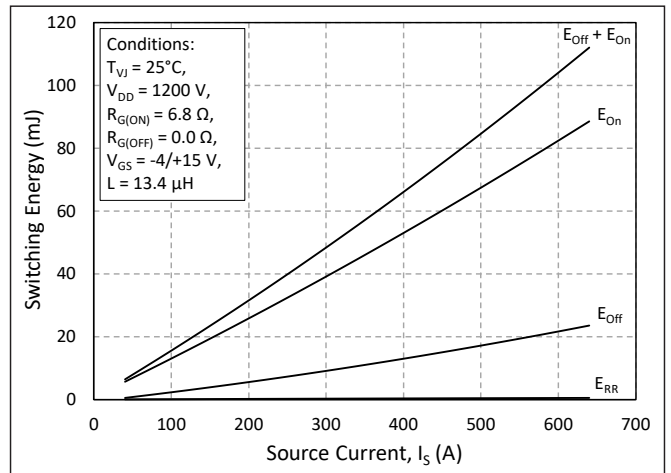


Figure 12. Switching Energy vs. Drain Current ( $V_{DD} = 1200$  V)



Typical Performance

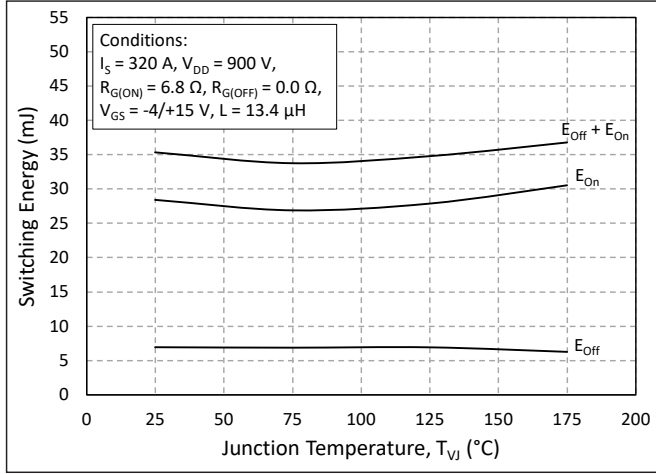


Figure 13. MOSFET Switching Energy vs. Junction Temperature

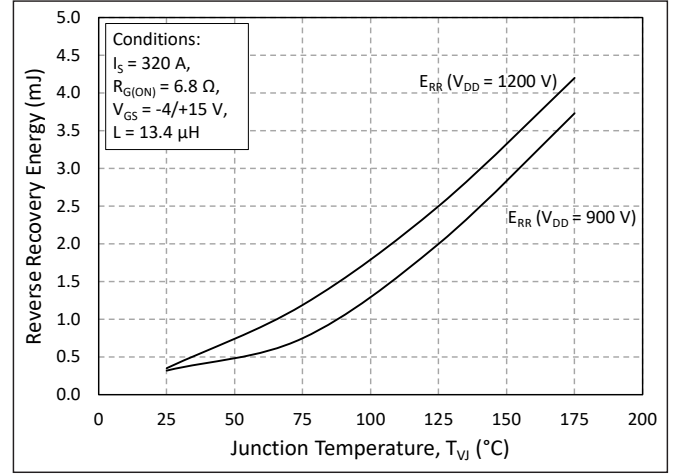


Figure 14. Reverse Recovery Energy vs. Junction Temperature

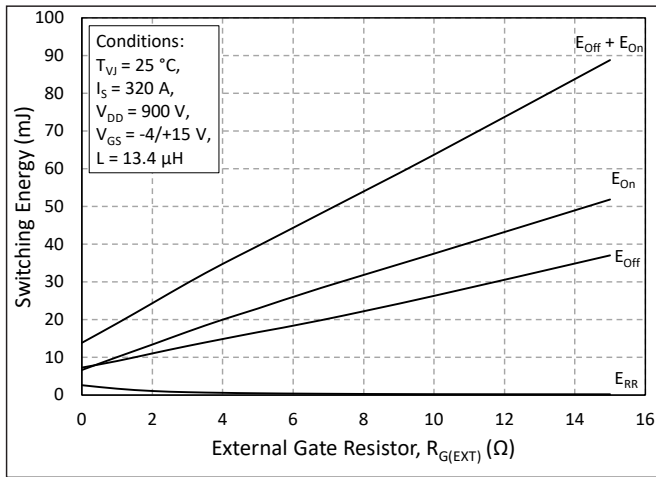


Figure 15. MOSFET Switching Energy vs. External Gate Resistance

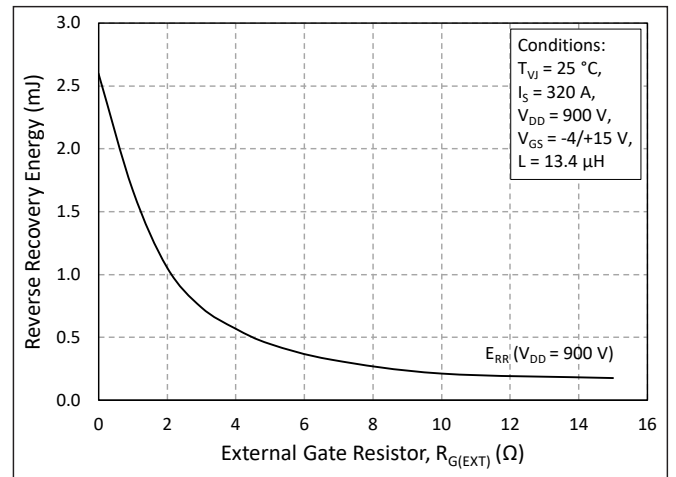


Figure 16. Reverse Recovery Energy vs. External Gate Resistance

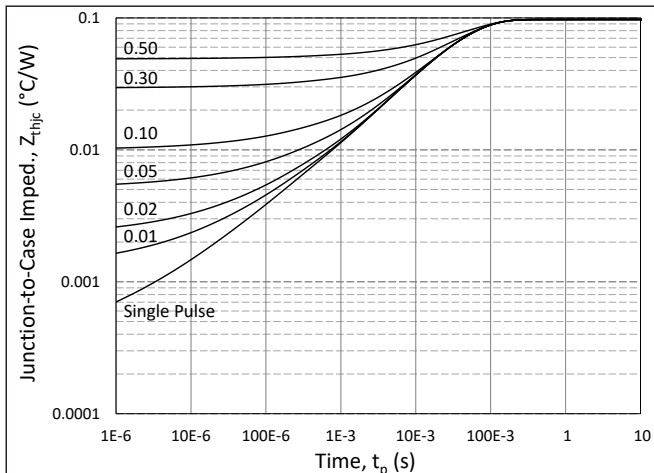


Figure 17. MOSFET Junction to Case Transient Thermal Impedance,  $Z_{thJC}$  (°C/W)

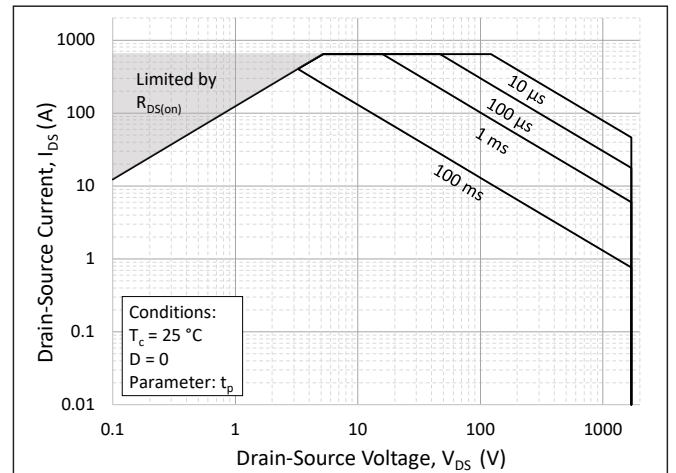


Figure 18. Forward Bias Safe Operating Area (FBSOA)



Typical Performance

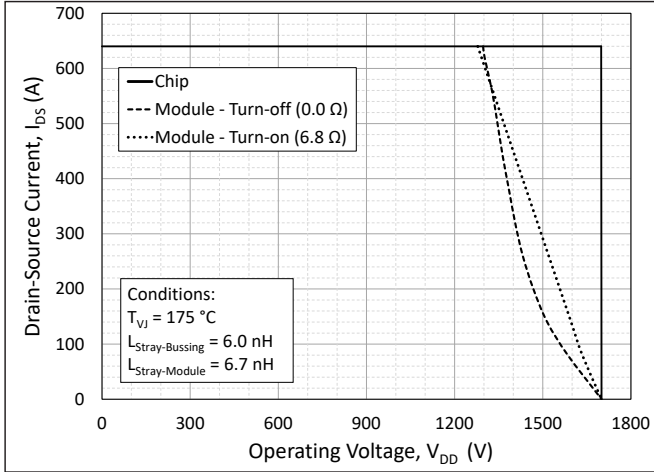


Figure 19. Switching Safe Operating Area

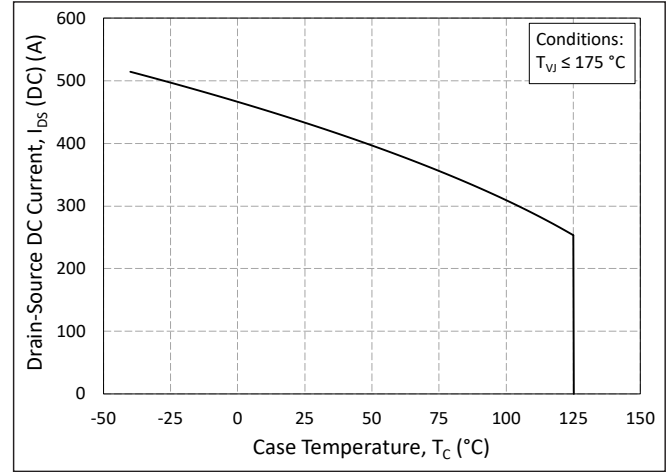


Figure 20. Continuous Drain Current Derating vs. Case Temperature

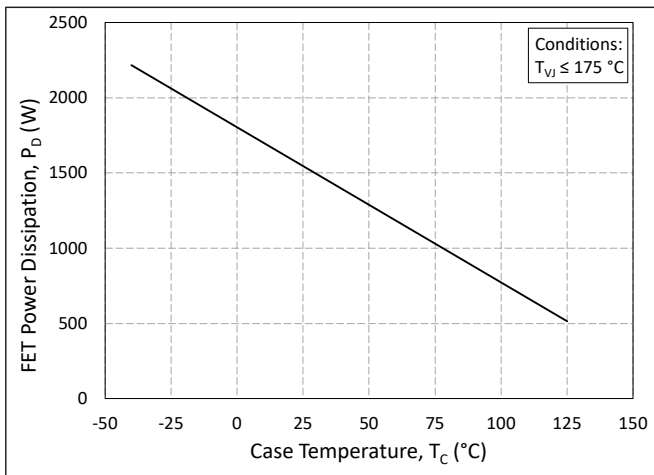


Figure 21. Maximum Power Dissipation Derating vs. Case Temperature

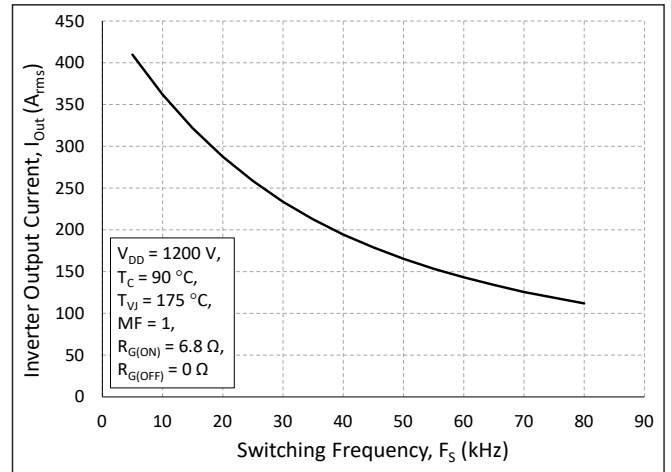


Figure 22. Typical Output Current Capability vs. Switching Frequency (Inverter Application)

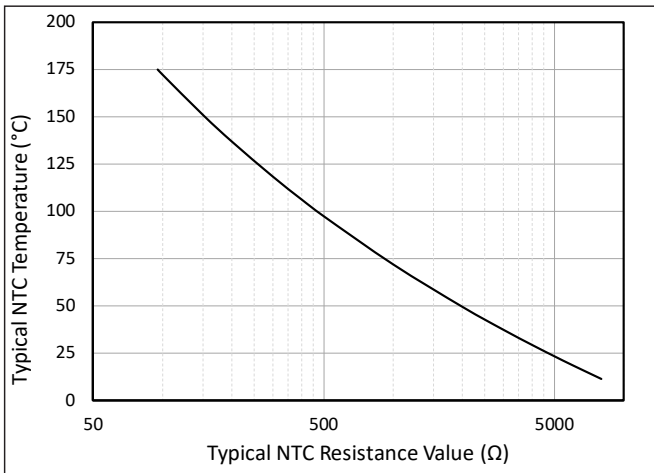


Figure 23. NTC Resistance vs. NTC Temperature



Timing Characteristics

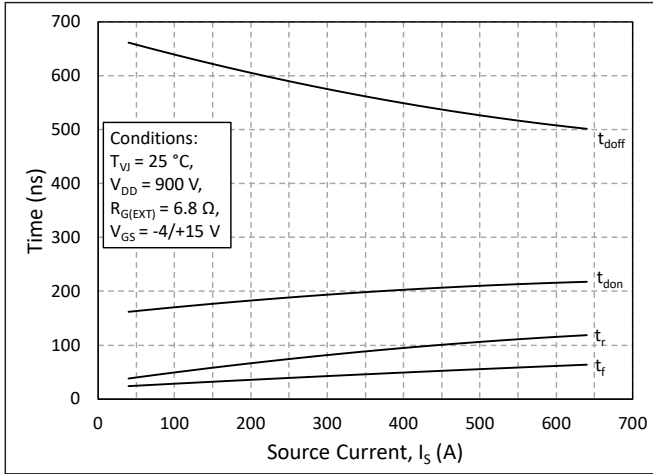


Figure 24. Timing vs. Source Current

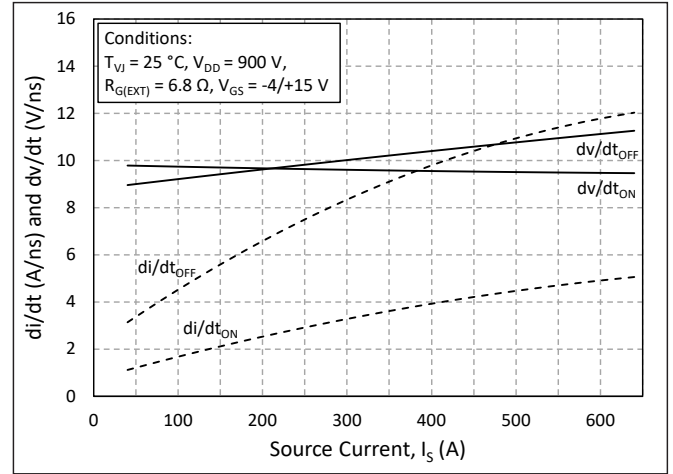


Figure 25. dv/dt and di/dt vs. Source Current

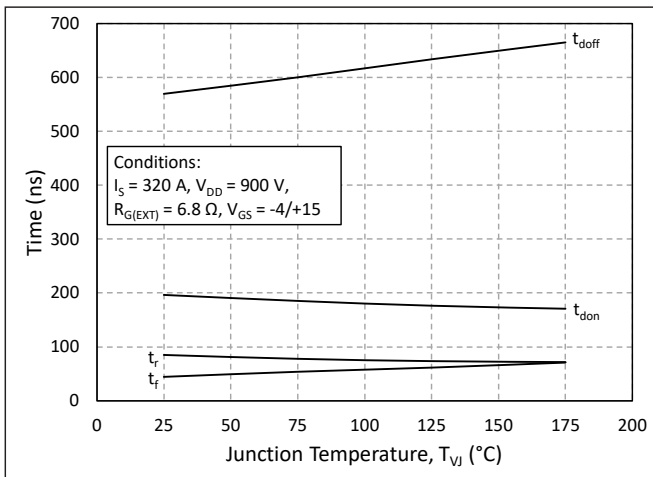


Figure 26. Timing vs. Junction Temperature

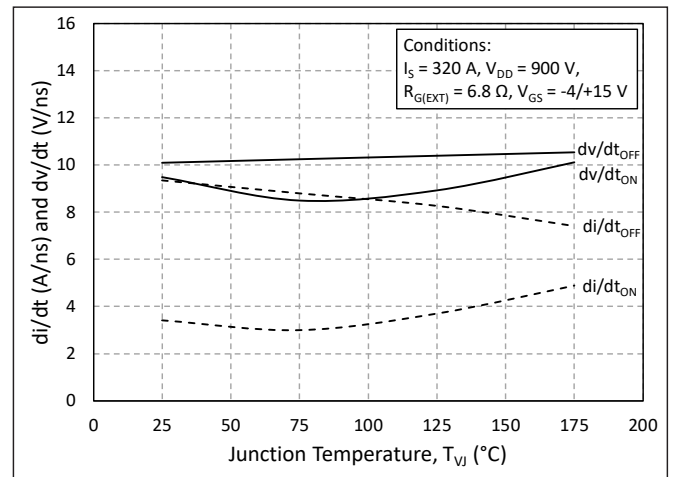


Figure 27. dv/dt and di/dt vs. Junction Temperature

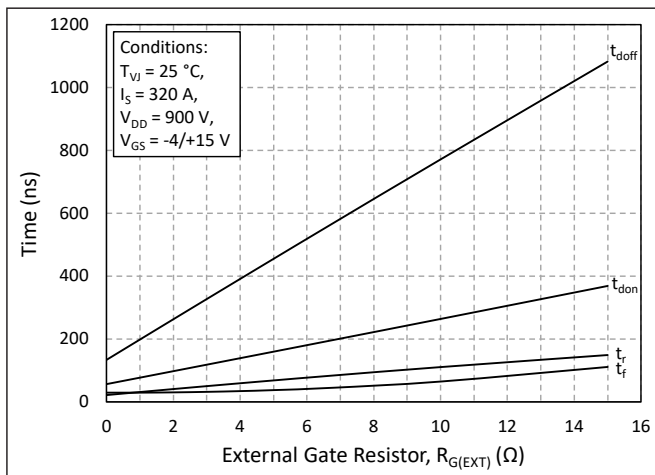


Figure 28. Timing vs. External Gate Resistance

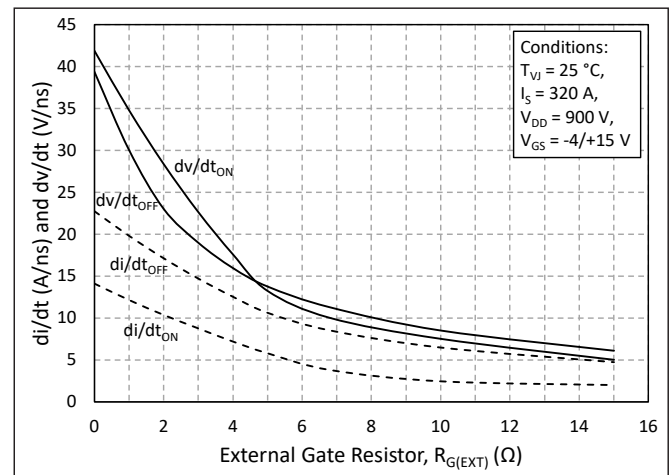
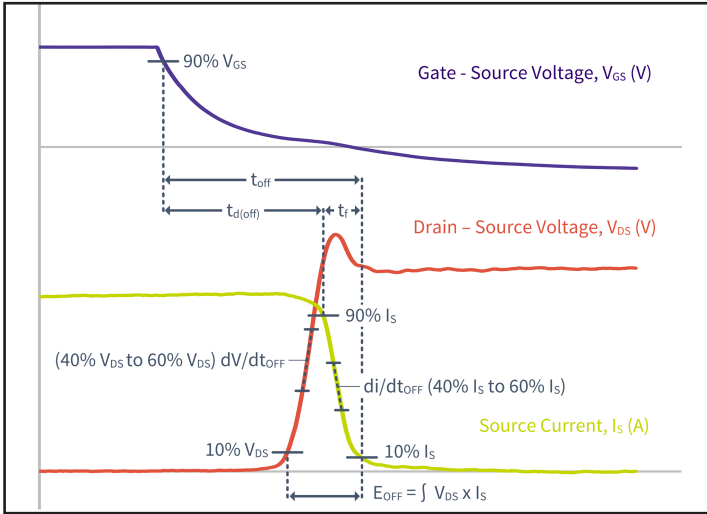


Figure 29. dv/dt and di/dt vs. External Gate Resistance

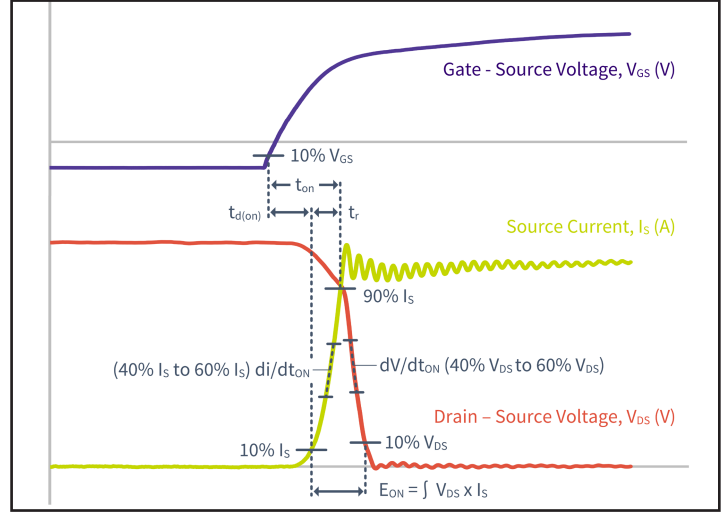




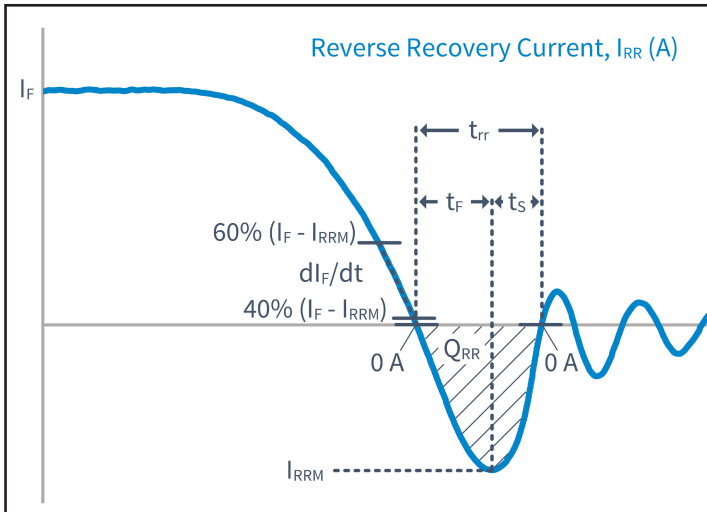
**Definitions**



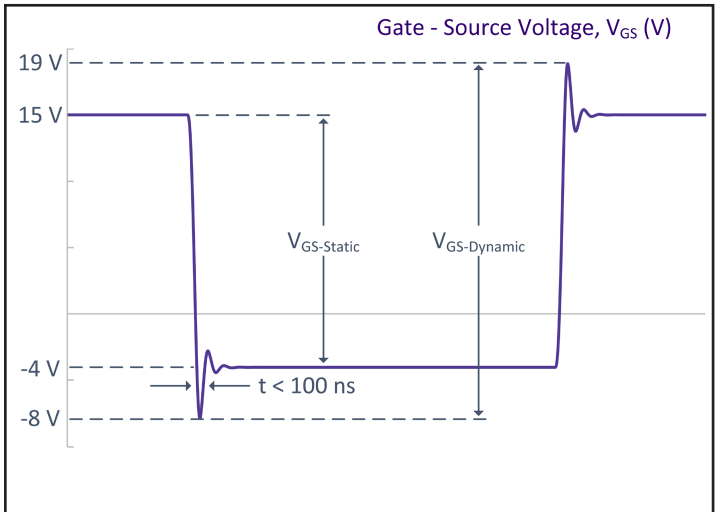
**Figure 30. Turn-off Transient Definitions**



**Figure 31. Turn-on Transient Definitions**



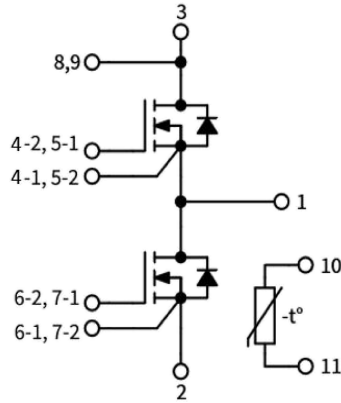
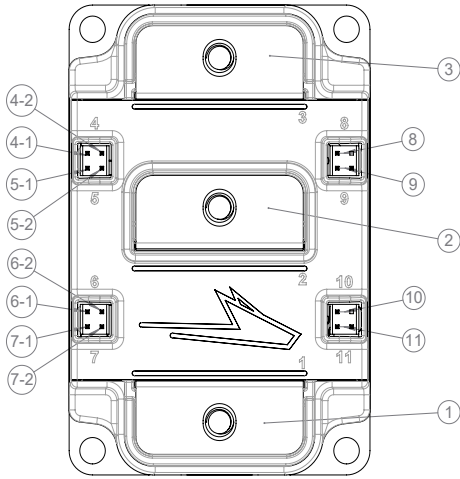
**Figure 32. Reverse Recovery Definitions**



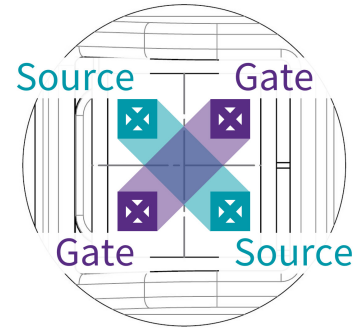
**Figure 33. V<sub>GS</sub> Transient Definitions**



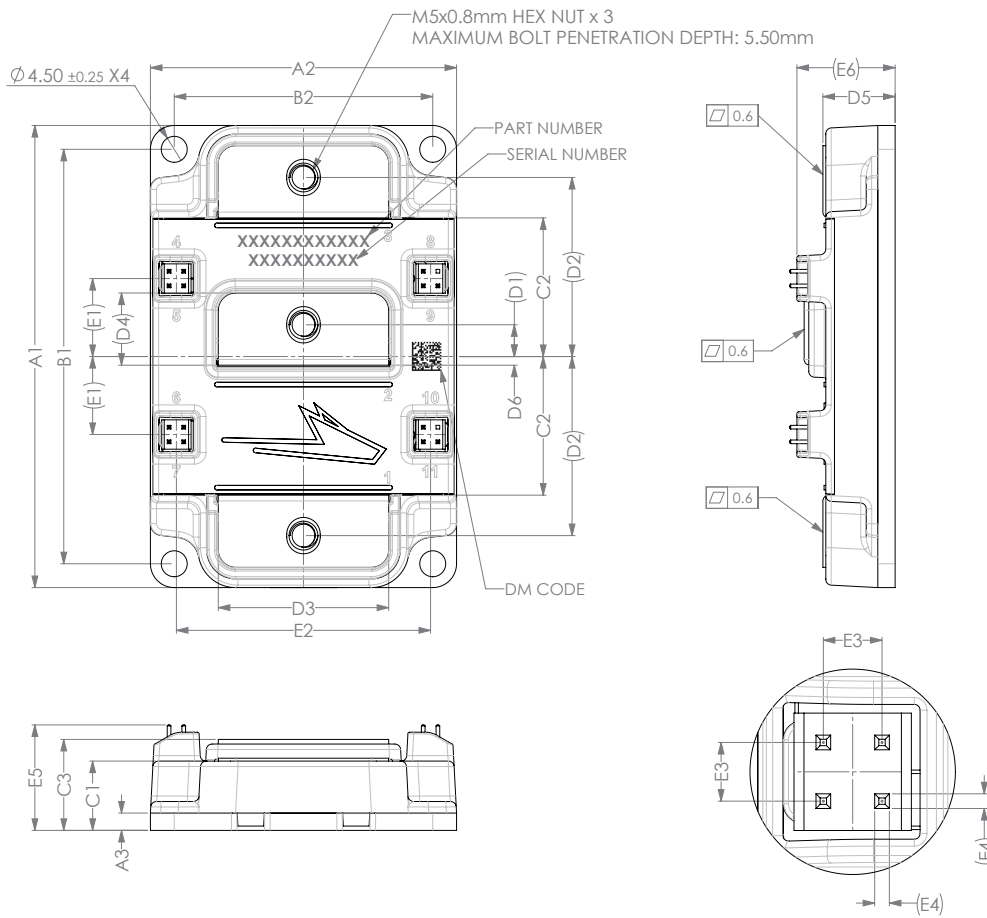
**Schematic and Pinout**



**Zoom View of Signal Pinout**



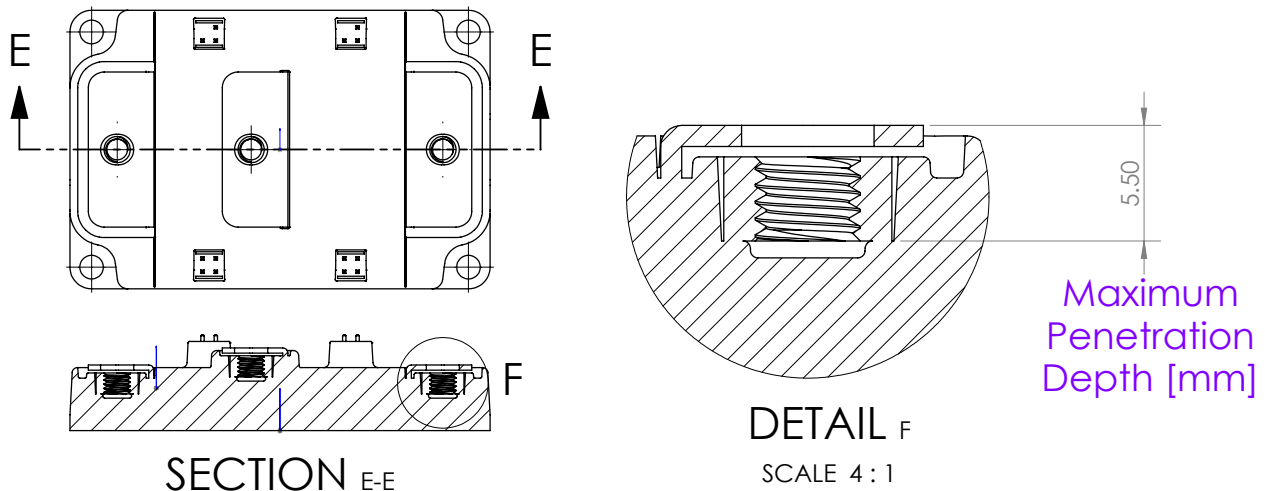
**Package Dimension (mm)**



DIMENSION TABLE		
SYMBOL	DIMENSION (mm)	TOLERANCE (mm)
A1	80.00	±0.30
A2	53.00	±0.30
A3	3.00	±0.30
B1	71.75	±0.30
B2	44.75	±0.30
C1	12.00	±0.50
C2	24.00	±0.50
C3	15.75	±0.40
D1	(5.50)	REF.
D2	(31.00)	REF.
D3	29.50	±0.30
D4	(12.50) TYP	REF.
D5	12.50	±0.30
D6	1.50	±0.30
E1	(13.50)	REF.
E2	44.00	±0.30
E3	2.54	±0.50
E4	(0.64)	REF.
E5	18.26	±0.30
E6	(17.00)	REF.



## Package Dimensions (mm)



## Supporting Links & Tools

### Evaluation Tools & Support

- [CAB320M17XM3 PLECS Model](#)
- [KIT-CRD-CIL17N-XM: Dynamic Performance Evaluation Board for the XM3 Module](#)
- [SpeedFit 2.0 Design Simulator™](#)
- [Technical Support Forum](#)

### Dual-Channel Gate Driver Board

- [CGD1700HB2P-XM3: Dual Channel Differential Isolated Half Bridge Gate Driver Board](#)
- [Si828x Gate Driver Boards for Wolfspeed XM3 Modules](#)
- [CGD12HB00D: Differential Transceiver Daughter Board Companion Tool for Differential Gate Drivers](#)

### Application Notes

- [XM Module Signal Pinout Clarification Guide](#)
- [XM3 Mounting Guide](#)
- [XM3 Thermal Interface Material Guide](#)
- [PRD-06832: Design Options for Wolfspeed® Silicon Carbide MOSFET Gate Bias Power Supplies](#)



## Notes & Disclaimer

---

This document and the information contained herein are subject to change without notice. Any such change shall be evidenced by the publication of an updated version of this document by Wolfspeed. No communication from any employee or agent of Wolfspeed or any third party shall effect an amendment or modification of this document. No responsibility is assumed by Wolfspeed for any infringement of patents or other rights of third parties which may result from use of the information contained herein. No license is granted by implication or otherwise under any patent or patent rights of Wolfspeed.

Notwithstanding any application-specific information, guidance, assistance, or support that Wolfspeed may provide, the buyer of this product is solely responsible for determining the suitability of this product for the buyer's purposes, including without limitation for use in the applications identified in the next bullet point, and for the compliance of the buyers' products, including those that incorporate this product, with all applicable legal, regulatory, and safety-related requirements.

This product has not been designed or tested for use in, and is not intended for use in, applications in which failure of the product would reasonably be expected to cause death, personal injury, or property damage, including but not limited to equipment implanted into the human body, life-support machines, cardiac defibrillators, and similar emergency medical equipment, aircraft navigation, communication, and control systems, aircraft power and propulsion systems, air traffic control systems, and equipment used in the planning, construction, maintenance, or operation of nuclear facilities.

### **RoHS Compliance**

The levels of RoHS restricted materials in this product are below the maximum concentration values (also referred to as the threshold limits) permitted for such substances, or are used in an exempted application, in accordance with EU Directive 2011/65/EC (RoHS2), as implemented January 2, 2013. RoHS Declarations for this product can be obtained from your Wolfspeed representative or from the Product Documentation sections of [www.Wolfspeed.com](http://www.Wolfspeed.com).

### **REACH Compliance**

REACH substances of high concern (SVHCs) information is available for this product. Since the European Chemical Agency (ECHA) has published notice of their intent to frequently revise the SVHC listing for the foreseeable future, please contact your Wolfspeed representative to ensure you get the most up-to-date REACH SVHC Declaration. REACH banned substance information (REACH Article 67) is also available upon request.

### **Contact info:**

4600 Silicon Drive  
Durham, NC 27703 USA  
Tel: +1.919.313.5300  
[www.wolfspeed.com/power](http://www.wolfspeed.com/power)