

C6D10065E

650 V, 10 A, Silicon Carbide Schottky Diode



TO-252-2



Features

- New 6th generation technology
- Low forward voltage drop (V_F)
- Zero reverse recovery current
- Zero forward recovery voltage
- Low leakage current (I_L)
- Temperature-independent switching behavior
- Positive temperature coefficient on V_F



Package Types: TO-252-2

PN's: C6D10065

WolfSpeed, Inc. is in the process of rebranding its products and related materials pursuant to the entity name change from Cree, Inc. to WolfSpeed, Inc. During this transition period, products received may be marked with either the Cree name and/or logo or the WolfSpeed name and/or logo.

Applications

- Switch mode power supplies (SMPS)
- Server/telecom power supplies
- Industrial power supplies
- Solar
- UPS

Benefits

- Higher system level efficiency
- Increase system power density
- Reduction of heat sink requirements
- Parallel devices without thermal runaway

Maximum Ratings ($T_C = 25\text{ }^\circ\text{C}$ Unless Otherwise Specified)

Parameter	Symbol	Value	Unit	Test Conditions	Note
Repetitive Peak Reverse Voltage	V_{RRM}	650	V		
DC Blocking Voltage	V_{DC}	650			
Continuous Forward Current	I_F	35	A	$T_C = 25\text{ }^\circ\text{C}$	Fig. 3
		18		$T_C = 125\text{ }^\circ\text{C}$	
		10		$T_C = 155\text{ }^\circ\text{C}$	
Repetitive Peak Forward Surge Current	I_{FRM}	41	A	$T_C = 25\text{ }^\circ\text{C}$, $t_p = 10\text{ ms}$, Half Sine Wave	
		24		$T_C = 110\text{ }^\circ\text{C}$, $t_p = 10\text{ ms}$, Half Sine Wave	
Non-Repetitive Peak Forward Surge Current	I_{FSM}	78	A	$T_C = 25\text{ }^\circ\text{C}$, $t_p = 10\text{ ms}$, Half Sine Wave	Fig. 8
		68		$T_C = 110\text{ }^\circ\text{C}$, $t_p = 10\text{ ms}$, Half Sine Wave	
	$I_{F,Max}$	1100		$T_C = 25\text{ }^\circ\text{C}$, $t_p = 10\text{ }\mu\text{s}$, Pulse	Fig. 8
		1000		$T_C = 110\text{ }^\circ\text{C}$, $t_p = 10\text{ }\mu\text{s}$, Pulse	
Power Dissipation	P_{tot}	99	W	$T_C = 25\text{ }^\circ\text{C}$	Fig. 4
		43		$T_C = 110\text{ }^\circ\text{C}$	
Operating Junction and Storage Temperature	T_J, T_{stg}	-55 to +175	$^\circ\text{C}$		



Electrical Characteristics

Parameter	Symbol	Typ.	Max.	Unit	Test Conditions	Note
Forward Voltage	V_F	1.27	1.50	V	$I_F = 10 \text{ A}, T_J = 25^\circ\text{C}$	Fig. 1
		1.37	1.60		$I_F = 10 \text{ A}, T_J = 175^\circ\text{C}$	
Reverse Current	I_R	2	50	μA	$V_R = 650 \text{ V}, T_J = 25^\circ\text{C}$	Fig. 2
		15	200		$V_R = 650 \text{ V}, T_J = 175^\circ\text{C}$	
Total Capacitive Charge	Q_C	34		nC	$V_R = 400 \text{ V}, T_J = 25^\circ\text{C}$	Fig. 5
Total Capacitance	C	611		pF	$V_R = 0 \text{ V}, T_J = 25^\circ\text{C}, f = 1 \text{ MHz}$	Fig. 6
		67			$V_R = 200 \text{ V}, T_J = 25^\circ\text{C}, f = 1 \text{ MHz}$	
		53			$V_R = 400 \text{ V}, T_J = 25^\circ\text{C}, f = 1 \text{ MHz}$	
Capacitance Stored Energy	E_C	5.2		μJ	$V_R = 400 \text{ V}$	Fig. 7

Note: This is a majority carrier diode, so there is no reverse recovery charge.

Thermal Characteristics

Parameter	Symbol	Typ.	Unit	Note
Thermal Resistance from Junction to Case	$R_{\theta JC}$	1.51	$^\circ\text{C/W}$	Fig. 9

Typical Performance

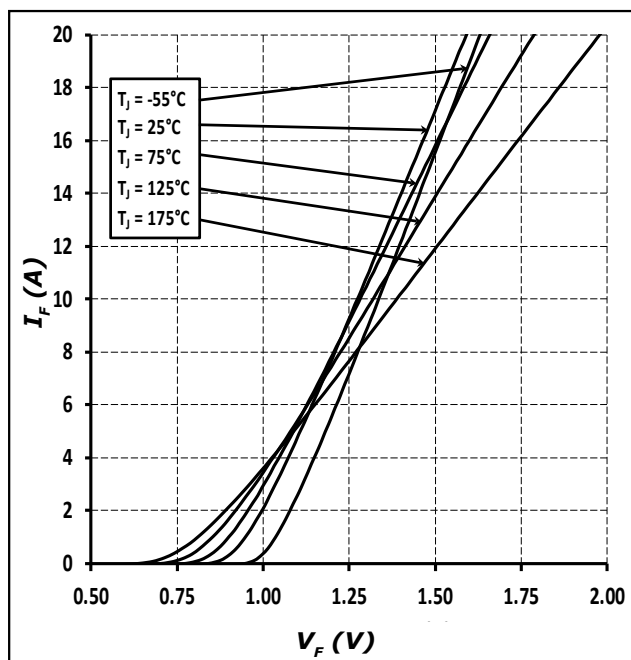


Figure 1. Forward Characteristics

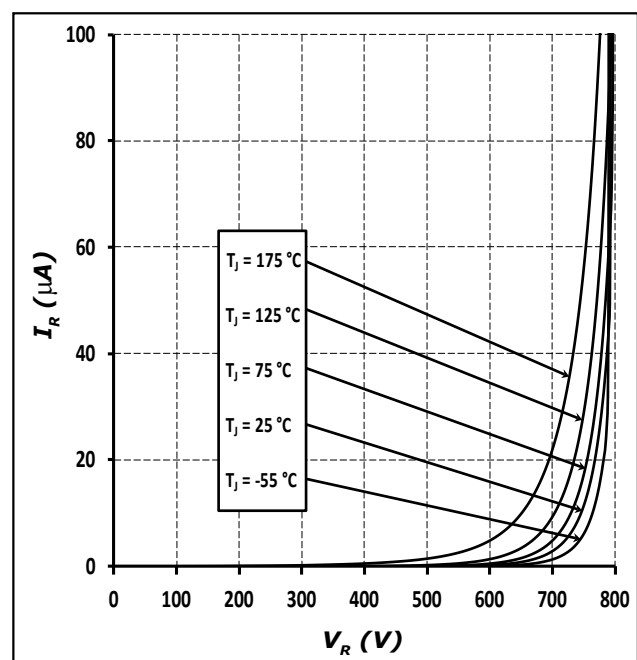


Figure 2. Reverse Characteristics



Typical Performance

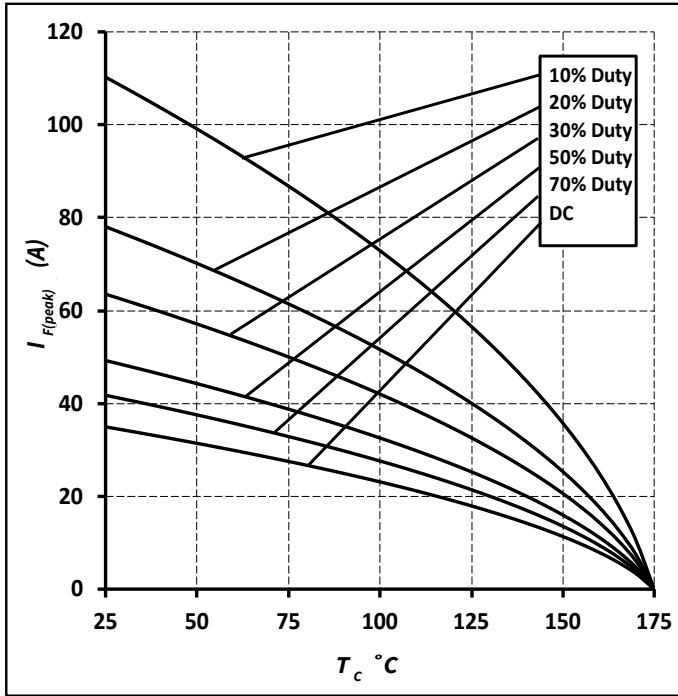


Figure 3. Current Derating

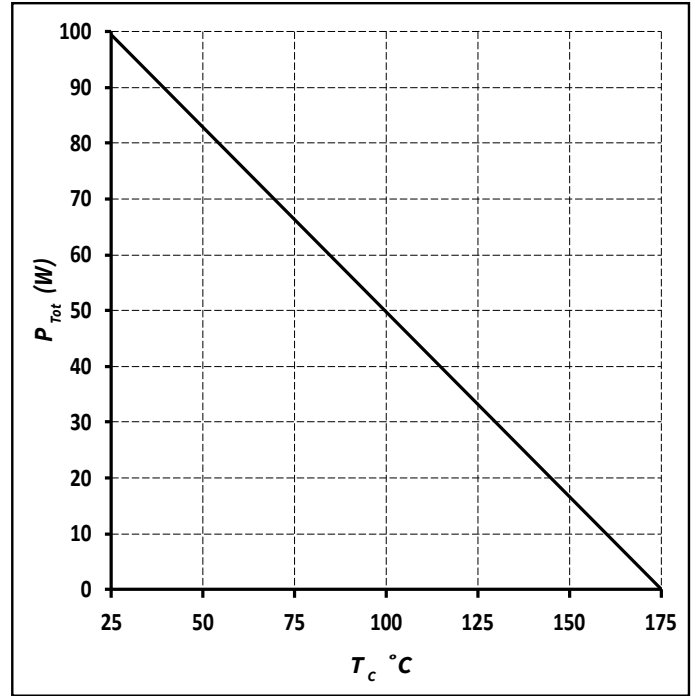


Figure 4. Power Derating

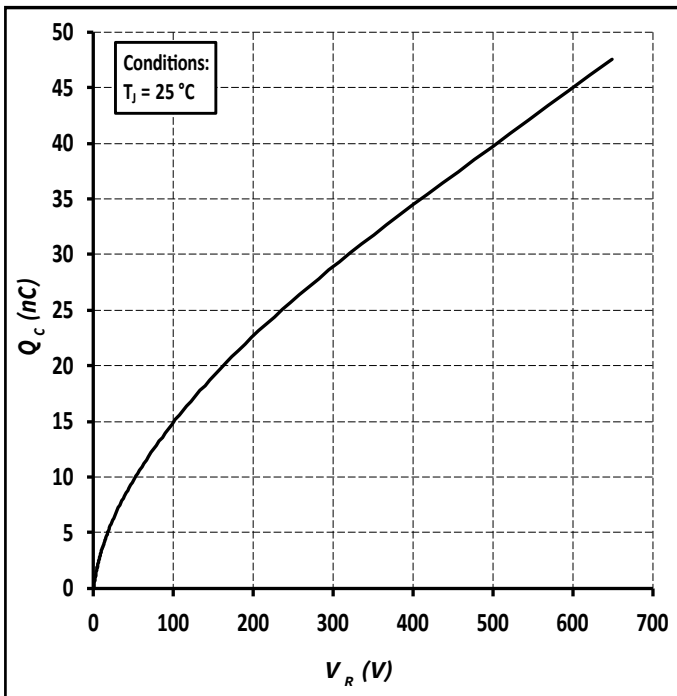


Figure 5. Total Capacitance Charge vs. Reverse Voltage

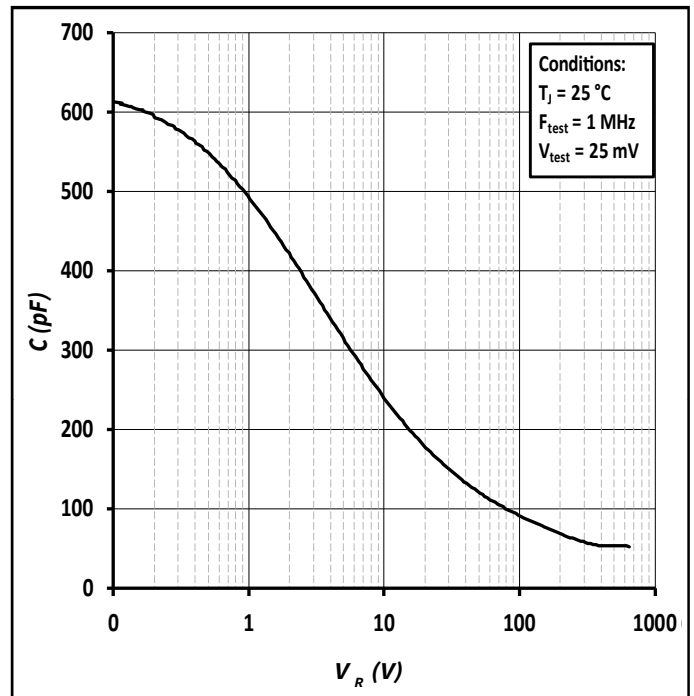


Figure 6. Capacitance vs. Reverse Voltage



Typical Performance

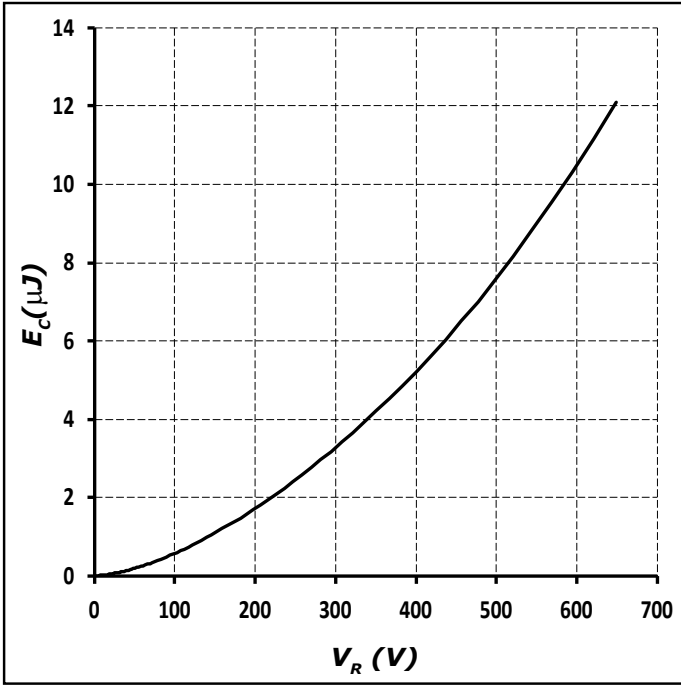


Figure 7. Capacitance Stored Energy

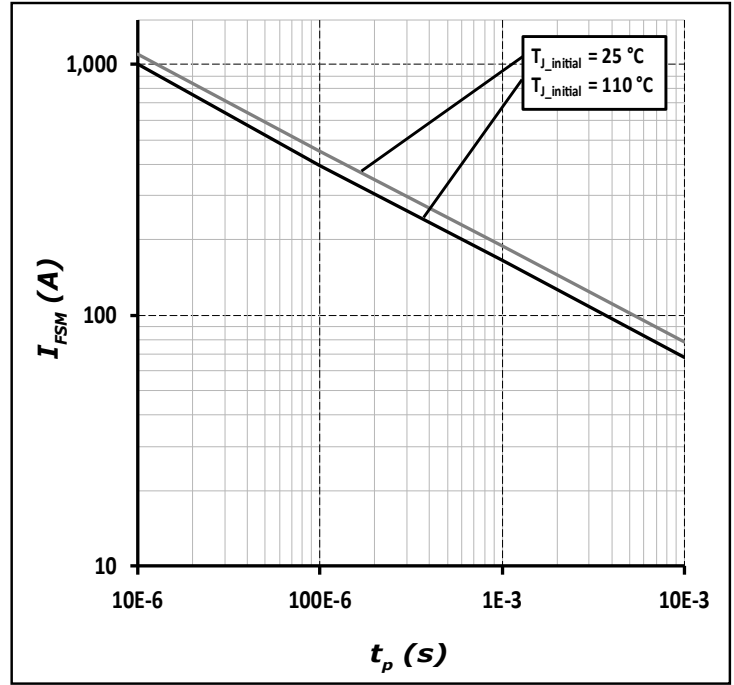


Figure 8. Non-Repetitive Peak Forward Surge Current Versus Pulse Duration (Sinusoidal Waveform)

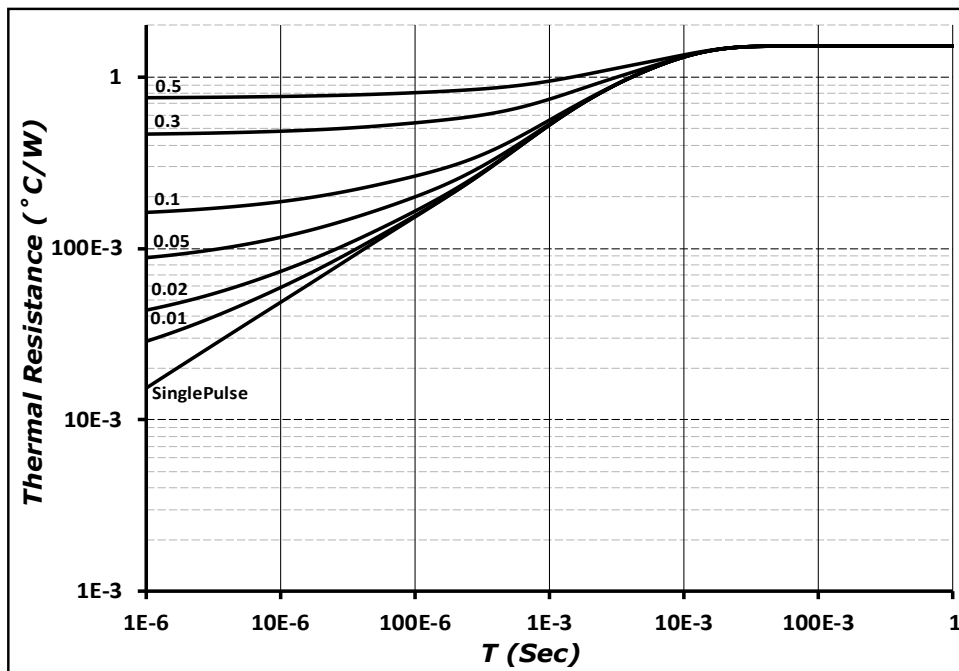
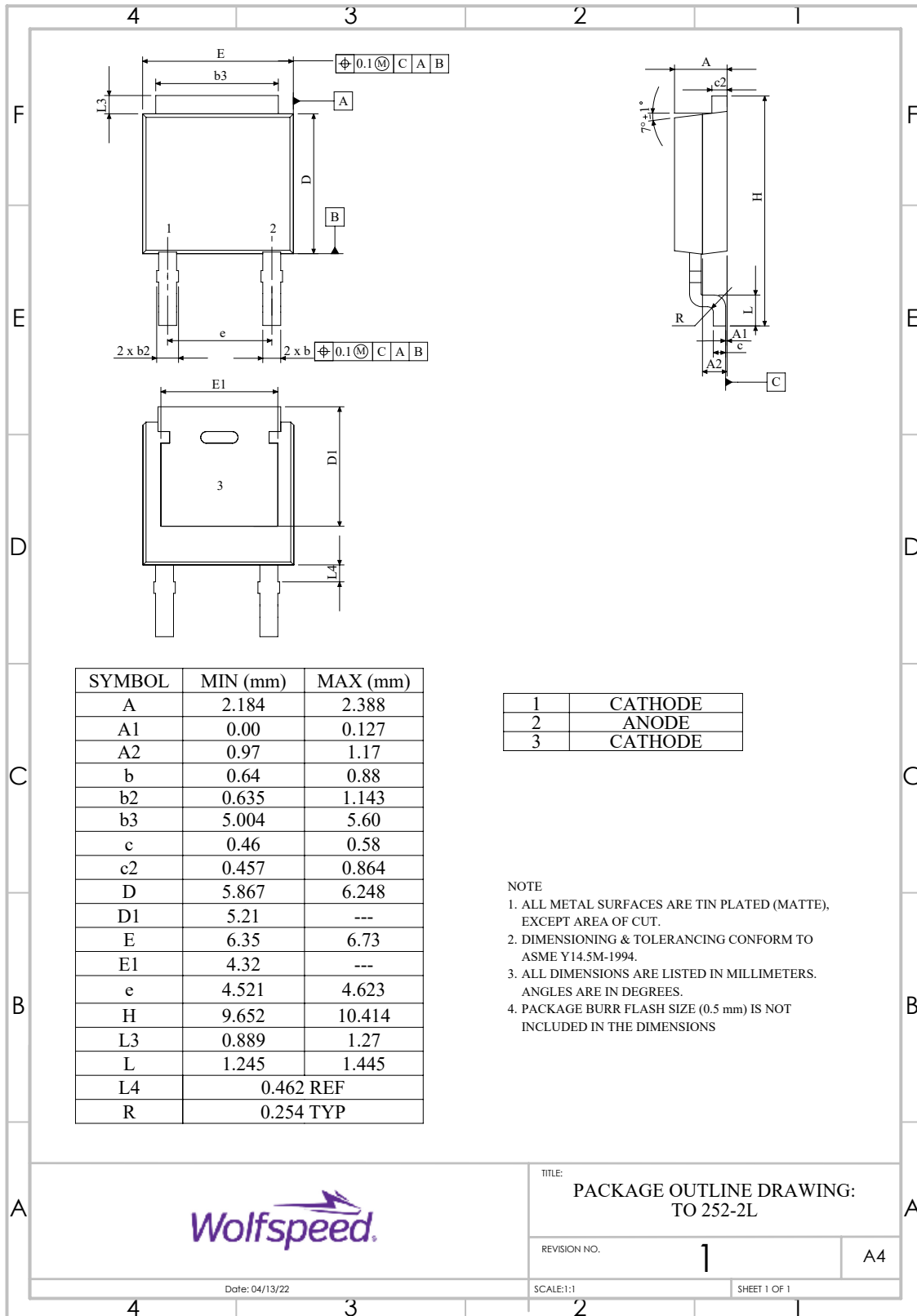


Figure 9. Transient Thermal Impedance

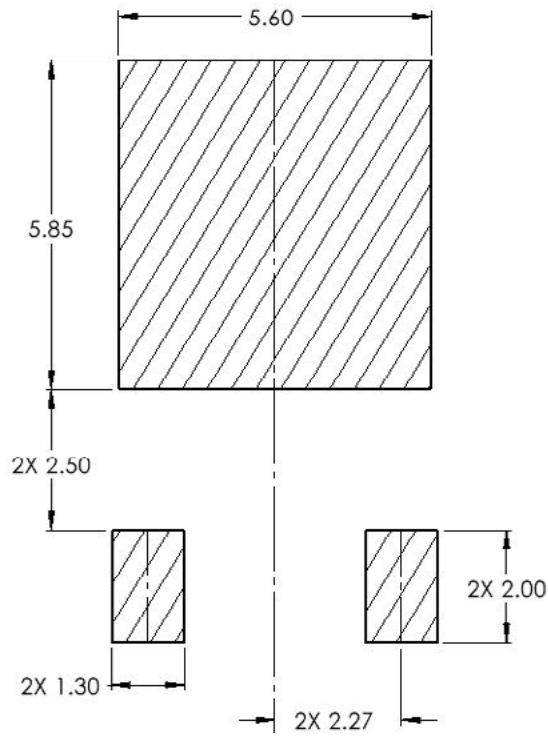


Package Dimensions

Package: TO-252-2



Recommended Solder Pad Layout



Part Number	Package	Marking
C6D10065E	TO-252-2	C6D10065



Revision History

Current Revision	Date of Release	Description of Changes
2	September-2023	Updated Wolfspeed branding, package drawing, and solder pad layout
3	October-2023	Corrected solder pad layout, removed incorrect diode model



Notes & Disclaimer

This document and the information contained herein are subject to change without notice. Any such change shall be evidenced by the publication of an updated version of this document by Wolfspeed. No communication from any employee or agent of Wolfspeed or any third party shall effect an amendment or modification of this document. No responsibility is assumed by Wolfspeed for any infringement of patents or other rights of third parties which may result from use of the information contained herein. No license is granted by implication or otherwise under any patent or patent rights of Wolfspeed.

Notwithstanding any application-specific information, guidance, assistance, or support that Wolfspeed may provide, the buyer of this product is solely responsible for determining the suitability of this product for the buyer's purposes, including without limitation for use in the applications identified in the next bullet point, and for the compliance of the buyers' products, including those that incorporate this product, with all applicable legal, regulatory, and safety-related requirements.

This product has not been designed or tested for use in, and is not intended for use in, applications in which failure of the product would reasonably be expected to cause death, personal injury, or property damage, including but not limited to equipment implanted into the human body, life-support machines, cardiac defibrillators, and similar emergency medical equipment, aircraft navigation, communication, and control systems, aircraft power and propulsion systems, air traffic control systems, and equipment used in the planning, construction, maintenance, or operation of nuclear facilities.

RoHS Compliance

The levels of RoHS restricted materials in this product are below the maximum concentration values (also referred to as the threshold limits) permitted for such substances, or are used in an exempted application, in accordance with EU Directive 2011/65/EC (RoHS2), as implemented January 2, 2013. RoHS Declarations for this product can be obtained from your Wolfspeed representative or from the Product Documentation sections of www.wolfspeed.com.

REACH Compliance

REACH substances of high concern (SVHCs) information is available for this product. Since the European Chemical Agency (ECHA) has published notice of their intent to frequently revise the SVHC listing for the foreseeable future, please contact your Wolfspeed representative to ensure you get the most up-to-date REACH SVHC Declaration. REACH banned substance information (REACH Article 67) is also available upon request.

Contact info:

4600 Silicon Drive
Durham, NC 27703 USA
Tel: +1.919.313.5300
www.wolfspeed.com/power